



INDUSTRIAL GROUP



8

# Chemical Dosing Equipment

INDEX	Page
<b>1- PERISTALTIC DOSING PUMPS</b>	
SIMPOOL POOL-T	178
SIMPOOL TIMER	179
SIMPOOL PH	180
SIMPOOL RX	181
TECHNOPOOL TT	182
TECHNOPOOL 2 PH-RX	183
TECHNOPOOL 3	184
<b>2- SOLENOID DRIVEN DOSING PUMPS</b>	
HC150	185
HC151 PH	186
HC151 RX	187
HC897	188
HC997 PI-MA-CLK	189
HC999 PI-MA-CLK	190
HC200 PH	191
HC200 RX	192
HC201	193
<b>3- PRE-ASSEMBLED PANELS</b>	
A-TECHNOPOOL SYSTEM PH-RX	194
A-POOL SYSTEM PH-RX	195
A-POOL SYSTEM PH-CL	196
A-POOL SYSTEM PH-CLJ	197
A-POOL TOP EVO PH-CL	200
A-POOL TOP EVO PH-CLJ	201
<b>4- CONTROLLERS AND ANALYSERS</b>	
A-DIN START	202
AR10 START	204
AE START	206
<b>5- SPARE PARTS AND ACCESSORIES</b>	
TANKS, SAFETY TANKS	208
MANUAL AND MOTOR MIXERS	209
SUCTION LANCES	212
PRE-ASSEMBLED SKID	214
BRACKETS, KITS, LEVEL PROBES	215
PROBES AND BUFFER SOLUTIONS	217
PROBE HOLDER	219
ACCESSORIES AND PANELS	221
PULSE EMITTER WATER METER A-CON	222
<b>6- FLOATING DISPENSERS</b>	223
<b>7- CHLORINE FEEDER</b>	223

# Chemical Dosing Equipment

## 1- PERISTALTIC DOSING PUMPS

### SIMPOOL POOL-T

#### Context of use:

- For private pools with a volume up to 200 cu. m, to dose chlorine or other liquid disinfectants upon activation of the recirculation pump.

#### Description:

- Digital peristaltic pump for dosing chemicals for pools (chlorine, Hydrogen peroxide, flocculant, anti-algae).
- Relay or cycle mode programmable functioning.
- Inhibit input with specific cable to activate and allow the dosing (to be connected to ricirculation pump).
- The pump comes with kit and accessories for a correct installation (collar excluded).

#### Technical features:

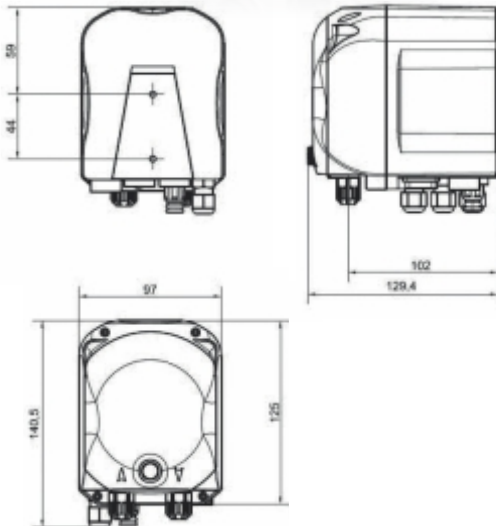
- Power supply: standard 230 VAC
- Absorption: 15 WATT (max)
- Level inputs: standard
- INHIBIT inputs: 230 VAC to activate and allow the dosing (circulation pump)
- Switch: on/off/prime

#### Standards:

- No. 2004/108/CE EMC directive
- No. 2006/95/CE "DBT low voltage directive"
- No. 2011/65/UE , 2002/96/CE "RoHS and WEEE directives"

#### Package size: (LxHxW)

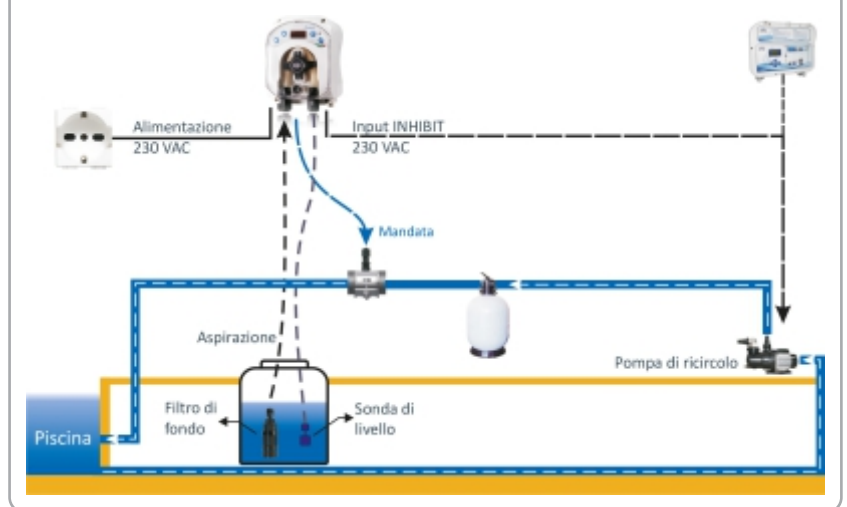
250x145x265 mm



#### INSTALLATION KIT

	Wall fixing bracket ADSP8000025		Foot filter 4x6 ADSP6000001
	Tubo in PVC Ø4x6, 4m ADSP6000551		G½" Duckbill injection valve ADSP6000049
	Wall plugs and screws ADSP6000041		

#### INSTALLATION EXAMPLE



CODE	POWER	FLOW RATE l/h	PRESSURE bar	WATT	PIPE	PACKING	WEIGHT kg	VOLUME m <sup>3</sup>
ADD91V4010000000	230 VAC	1.4	1	10	SANTOPRENE	1	2.33	0.01
ADD9003010000000	230 VAC	3	1	10	SANTOPRENE	1	2.33	0.01

## SIMPOOL TIMER

### Context of use:

- For private pools with a volume up to 200 cu. m, for timed dosing of chlorine or other liquid disinfectants with built-in timer

### Description:

- Digital peristaltic pump with in-built timer for dosing chemicals for pools, with daily and weekly programmable dosing.
- Ideal for the dosing of chlorine, hydrogen peroxide, flocculant and anti-algae.
- Inhibit input to allow the dosing (which can be deactivated if required)
- The pump comes with kit and accessories for a correct installation (collar excluded).

### Technical features:

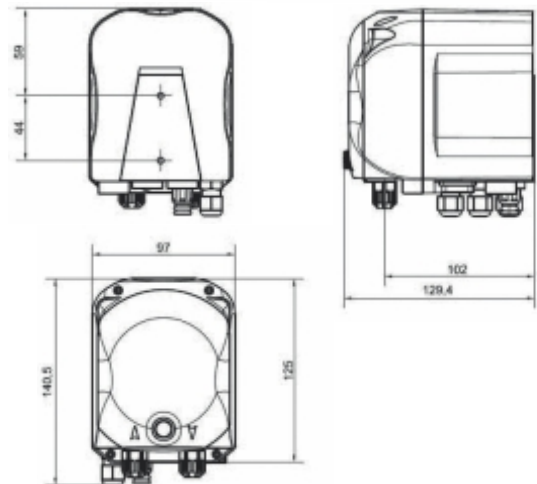
- Power supply: standard 230 VAC
- Absorption: 15 WATT (max)
- Level inputs: standard
- INHIBIT inputs: 230 VAC to activate and allow the dosing (circulation pump)
- Switch: on/off/prime

### Standards:

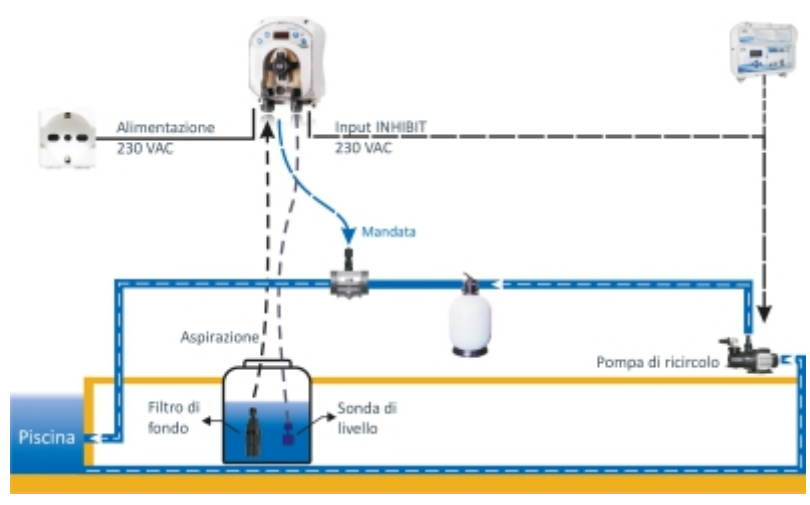
- No. 2004/108/CE EMC directive
- No. 2006/95/CE "DBT low voltage directive"
- No. 2011/65/UE , 2002/96/CE "RoHS and WEEE directives"

### Package size: (LxHxW)

250x145x265 mm



### INSTALLATION EXAMPLE

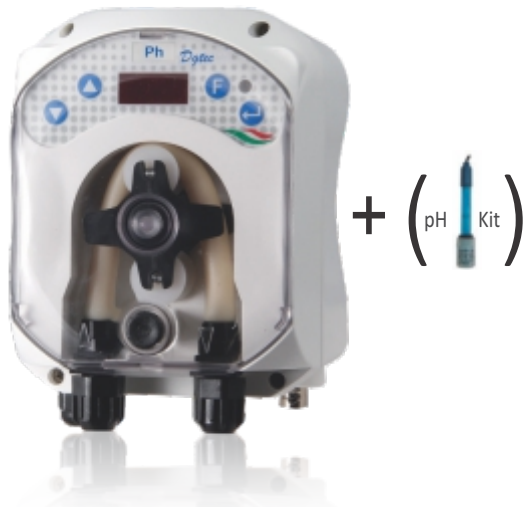


### INSTALLATION KIT

	Wall fixing bracket ADSP8000025		Foot filter 4x6 ADSP6000001
	Tubo in PVC Ø4x6, 4m ADSP6000551		G½" Duckbill injection valve ADSP6000049
	Wall plugs and screws ADSP6000041		

CODE	POWER	FLOW RATE l/h	PRESSURE bar	WATT	PIPE	PACKING	WEIGHT kg	VOLUME m³
ADD81V40100C0000	230 VAC	1.4	1	10	SANTOPRENE	1	2.33	0.01
ADD80030100C0000	230 VAC	3	1	10	SANTOPRENE	1	2.33	0.01

# Chemical Dosing Equipment



## SIMPOOL PH

### Context of use:

- For private pools up to 200 cu. m for dosing the acid or alkaline corrector with the built-in pH tool.

### Description:

- Digital peristaltic pump with built-in pH instrument
- Easy, precise and flexible use.
- Digital display switched on even without circulation flow, flow presence/absence control through a connection to the recirculation pump (Inhibit).
- Level probe compatible.
- The kit includes: pH electrode, 4 m suction/injection pipe, 2 pH buffer solutions to calibrate the electrode, wall fixing bracket and dowels, 2in1 electrode holder collar and product injection suitable for DN50-63 ADPSTC pipes, foot filter.
- Upon request, the temperature-reading compatible version is available (temperature probe not included).

### Technical features:

- Power supply: standard 230 VAC - 15 WATT (max)
- Level inputs: standard
- INHIBIT inputs: 230 VAC to activate and allow the dosing (circulation pump)
- Switch: on/off/prime

### LIGHT model

- Range 0-14 pH (Adjustable range alarm)
- Pause mode

### PRO model

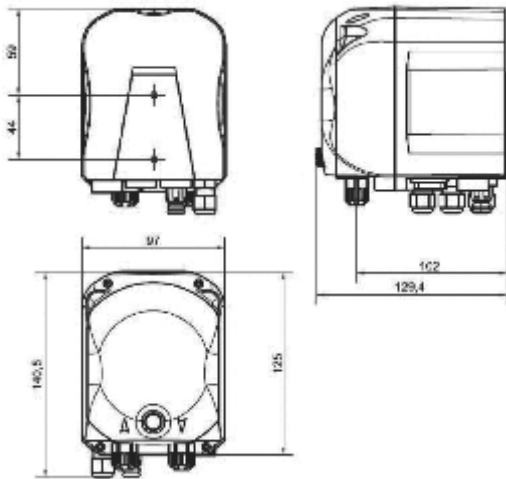
- Reduced Range 5-9pH (specific for Swimming Pool use)
- Temperature probe connection\*
- Range/Maintenance/ OFA/Temperature alarm
- Statistics: Average pH measurement
- Buzzer

### Standards:

- No. 2004/108/CE EMC directive
- No. 2006/95/CE "DBT low voltage directive"
- No. 2011/65/UE , 2002/96/CE "RoHS and WEEE directives"

### Package size: (LxHxW)

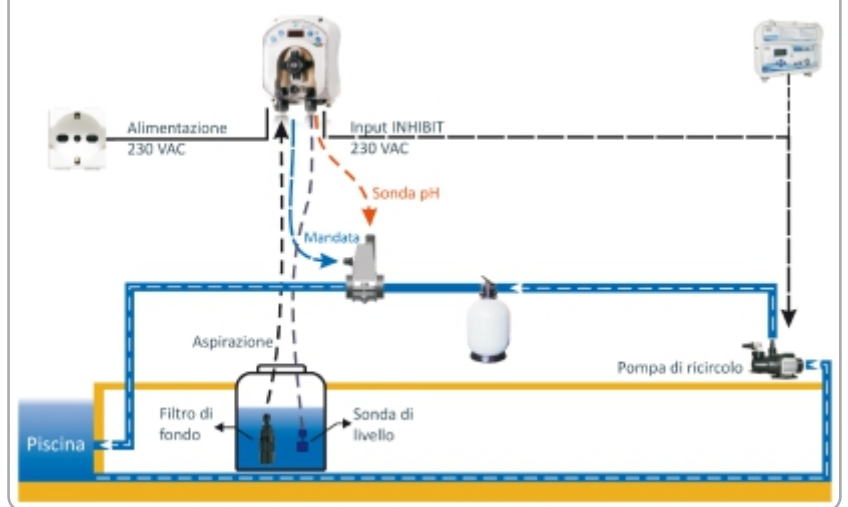
250x145x265 mm



### INSTALLATION KIT

	2 in 1 injection probe holder ADPSTC		Foot filter 4x6 ADSP6000001
	pH electrode with 5m cable ADELTPH05		Drilling tip cone Ø24 ADSP6000593
	Tubo in PVC Ø4x6, 4m ADSP6000551		pH4 and pH7 buffer solutions ADSPH4 - ADSPH7
	Wall fixing bracket ADSP8000025		Empty bottle to wash the pH probe ADSP4000020
	Wall plugs and screws ADSP6000041		

### INSTALLATION EXAMPLE



CODE	MODEL	POWER	FLOW RATE	PRESSURE	WATT	PIPE	PACKING	WEIGHT	VOLUME
			l/h	bar				kg	m <sup>3</sup>
ADS11401000A00W	SIMPOOL pH	230 VAC	1.4	1	15	SANTOPRENE	1	2.33	0.01
ADS00301000A000	SIMPOOL pH	230 VAC	3	1	15	SANTOPRENE	1	2.33	0.01
ADD31V401000A000	SIMPOOL PRO pH-Temp*	230 VAC	1.4	1	15	SANTOPRENE	1	2.33	0.01
ADD300301000A000	SIMPOOL PRO pH-Temp*	230 VAC	3	1	15	SANTOPRENE	1	2.33	0.01

## SIMPOOL RX

### Context of use:

- For private pools with a volume up to 200 cu. m, for timed dosing of chlorine or other liquid disinfectants depending on the Rx potential read through the built-in tool.

### Description:

- Digital peristaltic pump with built-in Rx instrument
- Ideal for the proportional dosing of chlorine and other disinfectants for the pool.
- Easy, precise and flexible use.
- Digital display switched on even without circulation flow, flow presence/absence control through a connection to the recirculation pump (Inhibit).
- Level probe compatible.
- The kit includes: Rx electrode, 4 m suction/injection pipe, 1 mV buffer solution to calibrate the electrode, wall fixing bracket and dowels, 2in1 electrode holder collar and product injection suitable for DN50-63 ADPSTC pipes, foot filter.

### Technical features:

- Power supply: standard 230 VAC - 15 WATT (max)
- Level inputs: standard
- INHIBIT inputs: 230 VAC to activate and allow the dosing (circulation pump)
- Switch: on/off/prime
- Probe type: Rx electrode

### LIGHT model

- Range 0-999 mV (Adjustable range alarm)
- Pause mode

### PRO model

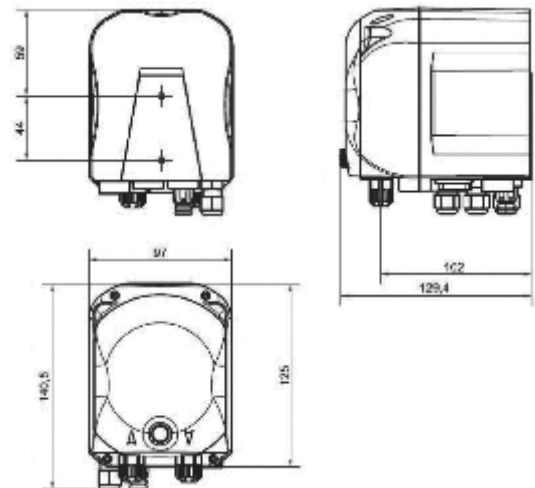
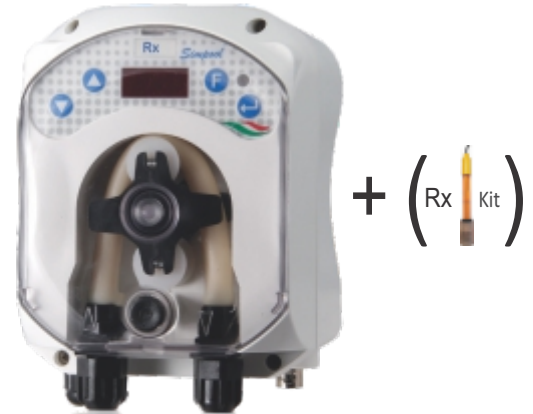
- Reduced Range 500-900 mV (specific for Swimming Pool use)
- Range/Maintenance/ OFA/ alarm
- Statistics: Average mV measurement
- Buzzer

### Standards:

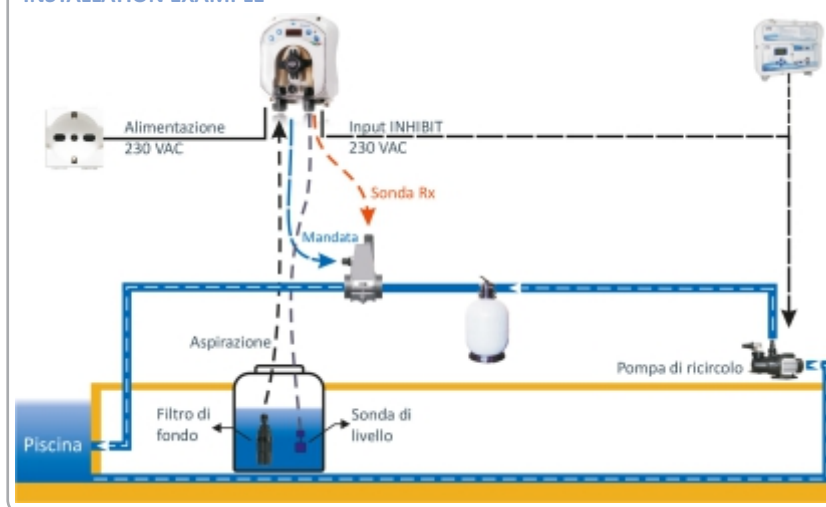
- No. 2004/108/CE EMC directive
- No. 2006/95/CE "DBT low voltage directive"
- No. 2011/65/UE , 2002/96/CE "RoHS and WEEE directives"

### Package size: (LxHxW)

250x145x265 mm



### INSTALLATION EXAMPLE



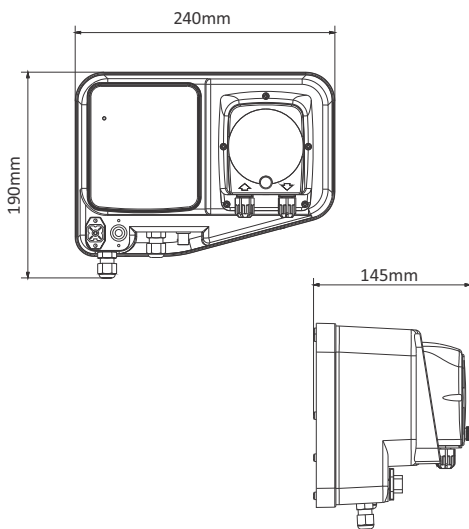
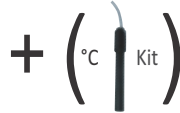
### INSTALLATION KIT

	2 in 1 injection probe holder ADPSTC		Foot filter 4x6 ADSP6000001
	Rx electrode with 5m cable ADELTX05		Drilling tip cone Ø24 ADSP6000593
	Tubo in PVC Ø4x6, 4m ADSP6000551		mV 475 buffer solution ADSRX
	Wall fixing bracket ADSP8000025		Wall plugs and screws ADSP6000041

CODE	MODEL	POWER	FLOW RATE	PRESSURE	WATT	PIPE	PACKING	WEIGHT	VOLUME
			l/h	bar				kg	m <sup>3</sup>
ADS21V401000A000	SIMPOOL LIGHT Rx	230 VAC	1.4	1	15	SANTOPRENE	1	2.33	0.01
ADS200301000A000	SIMPOOL LIGHT Rx	230 VAC	3	1	15	SANTOPRENE	1	2.33	0.01
ADD21V401000A000	SIMPOOL PRO Rx	230 VAC	1.4	1	15	SANTOPRENE	1	2.33	0.01
ADD200301000A000	SIMPOOL PRO Rx	230 VAC	3	1	15	SANTOPRENE	1	2.33	0.01

# Chemical Dosing Equipment

## TECHNOPOOL TT



### Context of use:

- For the dosing of active oxygen and disinfectants in private pools.

### Description:

- Peristaltic pump with built-in timer and temperature control (probe included) for the proportional dosing of active oxygen and disinfectants, with installation kit and equipment.
- The dosing frequency can be set on 1 hour - 24 hours / 1 day- 7 days
- High flow rate PT100 temperature probe included
- Proportionality range 22 - 28 °C
- Operating range 5 - 32 °C
- Power supply 220-230V - 50/60 Hz.

### The kit includes:

- Suction/injection pipe
  - Wall fixing bracket and dowels
  - Temperature probe
  - 2in1 electrode holder with built-in injection valve
- Suitable for DN50-63 pipes

### Standards:

- No. 2004/108/CE EMC directive
- No. 2006/95/CE "DBT low voltage directive"
- No. 2011/65/UE , 2002/96/CE "RoHS and WEEE directives"

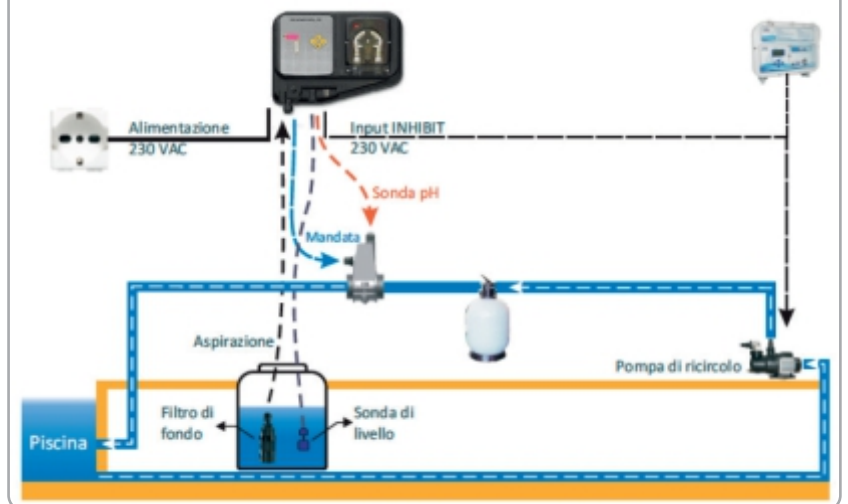
### Package size: (LxHxW)

350x160x300 mm

### INSTALLATION KIT

	2 in 1 injection probe holder ADPSTC		Foot filter 4x6 ADSP6000001
	PT100 Temp. probe ADSTS100N		Drilling tip cone Ø24 ADSP6000593
	Tubo in PVC Ø4x6, 4m ADSP6000551		Wall plugs and screws ADSP6000041
	Wall fixing bracket ADSP6020156		

### INSTALLATION EXAMPLE



CODE	FLOW RATE l/h	PRESSURE bar	WATT	PIPE	PACKING	WEIGHT kg	VOLUME m <sup>3</sup>
AD0TT1401000A100	1.4	1	8	4 x 6	1	2.8	0.016
AD0TT0301000A100	3	1	8	4 x 6	1	2.8	0.016

## TECHNOPOOL 2 PH-RX

### Context of use:

- For private pools with double built-in pH and Rx tool, suitable for the dosing of acid/alkaline correctors depending on the pH reading, and for the dosing of chlorine or other disinfectants depending on the Rx potential reading.

### Description:

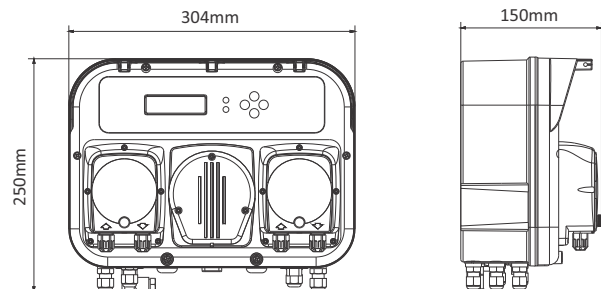
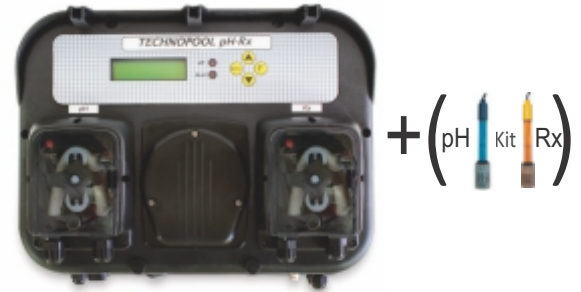
- Double peristaltic pump with pH and Rx built-in instrument to measure and adjust pH and Redox potential.
- Proportional dosing.
- Display with digital controls
- Measurement range 5-9 pH, 0-999 mV
- Acoustic alarms
- Protection password
- Power supply 220-230V 50/60Hz.
- With installation kit and equipment consists of:
  - Suction/injection pipe , buffer solutions
  - Wall fixing bracket and dowels pH and Rx electrodes
  - N°2 2-1 Probe Holder with Injection valve for tube DN50-63
  - Injection valves
  - Foot filters. (2x)
- Compatible with:
  - Level probes
  - Flow and temperature probe

### Standards:

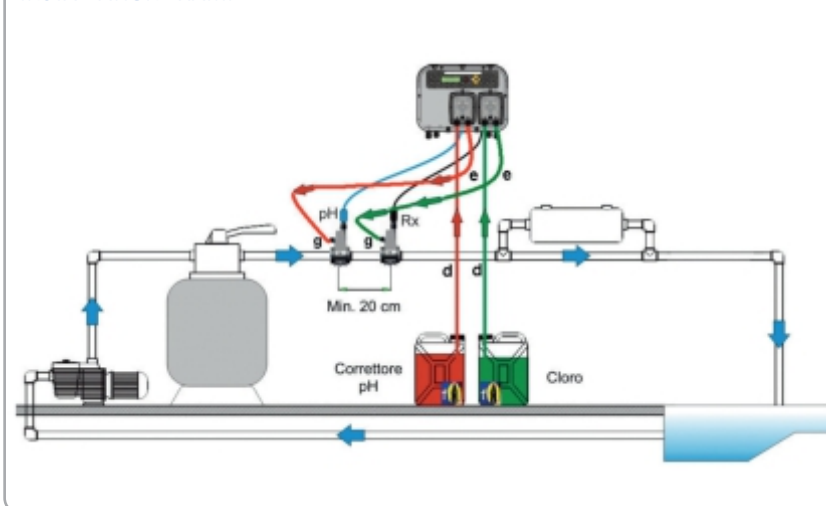
- No. 2004/108/CE EMC directive
- No. 2006/95/CE "DBT low voltage directive"
- No. 2011/65/UE , 2002/96/CE "RoHS and WEEE directives"

### Package size: (LxHxW)

390x445x165 mm



### INSTALLATION EXAMPLE



### INSTALLATION KIT

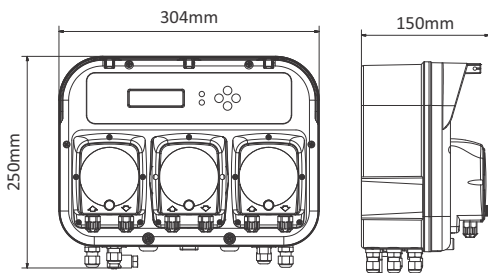
	2 in 1 injection probe holder ADPSTC		Foot filter 4x6 ADSP6000001
	pH electrode with 5m cable ADELTPH05		Drilling tip cone Ø24 ADSP6000593
	Rx electrode with 5m cable ADELTRX05		pH4 and pH7 buffer solutions ADSPH4 - ADSPH7
	Tubo in PVC Ø4x6, 4m ADSP6000551		mV 475 buffer solution ADSRX
	Wall fixing bracket ADSP6020156		Wall plugs and screws ADSP6000041

CODE	FLOW RATE l/h	PRESSURE bar	WATT	PIPE	PACKING	WEIGHT kg	VOLUME m <sup>3</sup>
AD0T00G0G000A100	1.4/1.4	1	12	4 x 6	1	4.1	0.026
AD0T00G0T000A100	1.4/3	1	12	4 x 6	1	4.1	0.026



# Chemical Dosing Equipment

## TECHNOPOOL 3



### Context of use:

- For private pools with multifunctional built-in tool: pH, Temperature and Rx (upon request).
- Suitable for the dosing of acid/alkaline corrector depending on the pH reading, and for the timed dosing of the disinfectant (like Hydrogen peroxide) depending on water temperature. Also available with the built-in Rx potential reading tool, for a proportional dosing of chlorine.

### Description:

- Triple peristaltic pump with built-in timer and pH, Temperature and Redox instruments (T-pH-Rx model only).
- Acid/Alkaline corrector proportional dosing
- Timed dosing of 1-2 disinfectant products whose quantity is compensated depending on the temperature
- Disinfectant dosing proportioned to the Redox potential (T-pH-Rx model only)
- Display with digital controls.
- Acoustic alarms
- Protection password
- Level probes compatible
- Flow sensor
- Connection to the recirculation pump to allow the dosing (V1)
- Measurement range 5-9 pH, 0-999 mV.
- Power supply 220-230V 50/60Hz
- With kit and equipment for a correct installation consists of:
  - Suction/injection pipe
  - Wall fixing bracket and dowels
  - pH, temperature and Rx electrodes (Rx model only)
  - Buffer solutions
  - Probe holder collars
  - Injection valves
  - Foot filters.

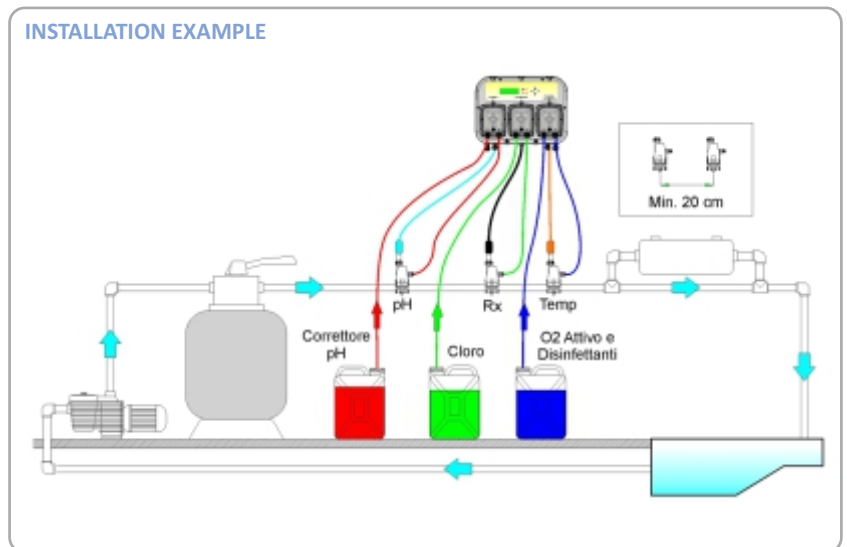
### Standards:

- No. 2004/108/CE EMC directive
- No. 2006/95/CE "DBT low voltage directive"
- No. 2011/65/UE , 2002/96/CE "RoHS and WEEE directives"

### Package size: (LxHxW)

390x445x165 mm

INSTALLATION KIT			
	2 in 1 injection probe holder ADPSTC		Foot filter 4x6 ADSP6000001
	PT100 Temp. probe ADSTS100N		Drilling tip cone Ø24 ADSP6000593
	Rx electrode pH electrode with 5m cable ADELTPH05 ADELTRX05		pH4 and pH7 buffer solutions ADSPH4 - ADSPH7
	Tubo in PVC Ø4x6, 4m ADSP6000551		mV 475 buffer solution ADSRX
	Wall fixing bracket ADSP6020156		Wall plugs and screws ADSP6000041



CODE	MODEL	PROBES	FLOW RATE l/h	PRESSURE bar	WATT	PIPE	PACKING	WEIGHT kg	VOLUME m <sup>3</sup>
AD5000G0G000A100	T-PH-T	TEMP. - pH	1.4-1.4-1.4	1-1-1	25	4 x 6	1	4.33	0.028
AD4600G0G000A100	T-PH-RX	TEMP. - pH - Rx	1.4-1.4-1.4	1-1-1	25	4 x 6	1	4.33	0.028

## 2- SOLENOID DRIVEN DOSING PUMPS

### HC 150 *IMPROVED RANGE*

#### Context of use:

- Constant flow rate dosing pump with pulse frequency regulation. Easy to set, with a single adjustment potentiometer and a LED.
- Upon request PI version to be used with water meter for proportional dosing of anti-mycosis
- Low level probe facility

#### Technical features:

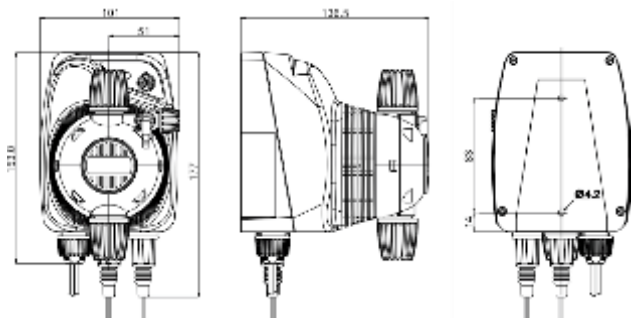
	Standard version	Upon request
Pump body	PP	PVDF
Diaphragm	PTFE	-
Balls	PYREX	PTFE; ceramic
Body valve	PP	PVDF
O-rings	Viton®	Dutral®
Spring loaded injection valve	Hastelloy/Pyrex	Hastelloy - ceramic
Injection fitting	PP	PVDF
Foot valve	PP	PVDF
Power supply	230v	110v (Some models)

#### Standards:

- No. 2004/108/CE EMC directive
- No. 2006/95/CE "DBT low voltage directive"
- No. 2011/65/UE , 2002/96/CE "RoHS and WEEE directives"

#### Package size: (LxHxW)

192x160x250 mm

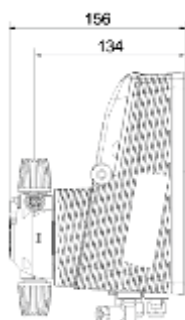
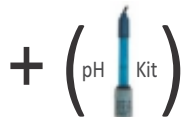


#### INSTALLATION KIT

	Wall fixing bracket ADSP6020221	x2 	PVC crystal Pipe (2m) ADSP6000546
	PE injection pipe (2 m) ADSP6000078		Foot filter 4x6 ADSP6000001
	Wall plugs and screws ADSP6000041		PP Injection valve M ½ Gas ADSP6200007

CODE	FLOW RATE	PRESSURE	STROKES	STROKE VOLUME	CONSUMPTION	TUBE	PUMP HEAD	PACKING	WEIGHT	VOLUME
PI version	l/h	bar	BPM/SPM	ml/colpo	Watt				kg	m³
AD9500000000 AD9570000000	1.5	5		0.25						
	2	3	100	0.33	14	4x6	PP ½"	1	2.33	0.007
	3	1		0.50						
AD950010000000 AD957010000000	2	8		0.28						
	5	5	120	0.69	14	4x6	PP ½"	1	2.33	0.007
	7	2		0.97						
	7	4		0.78						
AD950110000000 AD957110000000	8	2	150	0.89	14	4x6	PP ½"	1	2.33	0.007
	10	0		1.11						
	3	12		0.42						
AD950020000000 AD957020000000	4	10	120	0.56	16	4x6	PP ½"	1	2.33	0.007
	5	8		0.69						
	10	4		0.93						
AD950130000000 AD957130000000	12	2	180	1.11	16	4x6	PP ½"	1	2.33	0.007
	14	0		1.30						
	2	20		0.44						
AD950140000000 AD957140000000	2.5	18	75	0.56	16	4x6	PP ½"	1	2.33	0.007
	3	15		0.67						

# Chemical Dosing Equipment



## HC 151 PH *NEW*

### Context of use:

- For private pools, to dose the acid/alkaline corrector with the built-in pH reading tool.

### Description:

- Electromagnetic pump with built-in pH tool for a proportional dosing of acid/alkaline products, with installation kit and equipment.
- Dosing mode selectable in constant or proportional mode.
- Reinforced PP housing, suitable for aggressive working environments;
- Input: level probe, inhibit, standby, flow sensor, injection;
- Output: alarm or dosing relay;
- Statistics;
- Password;
- Language and Unit measure selectable;
- Calibration flow-rate;
- Simplified setting by user menu;
- Alphanumeric display, 2 lines 16 characters, to simplify pump managing, during the working mode and during the programming;
- Power supply 230 Vac. Upon request: 110V;
- IP65 protection degree;
- Wall mounting bracket supplied in installation kit;
- Manual bleed valve (priming);
- Upon request PI-mA version available.

### Working mode:

- Constant flow-rate On/Off mode (flow rate in %);
- Self-calibration of measure probe;
- Proportional dosing to the selected setpoint value;
- Selectable Alarms: Level (with "reserve", early warning), Flow (flow sensor input), Strokes (max number of strokes), OFA (Over Feed Alarm), RANGE.
- The kit contains:
  - Suction/injection pipe;
  - 2 pH buffer solutions to calibrate the electrode;
  - Wall fixing bracket and dowels;
  - Probe holder G½";
  - pH electrode;
  - Foot filter and injection valve.

### Technical features:

	Standard version	Upon request
Pump body	PP	PVDF/PVC auto. bleeding
Pump housing	PP	-
Diaphragm	PTFE	-
Balls	PYREX	PTFE; ceramic
Body valve	PP	PVDF
O-rings	Viton®	Dutral®
Injection ball valve (Spring)	Hastelloy/Pyrex	Hastelloy - ceramic
Injection fitting	PP	PVDF
Foot valve	PP	PVDF
Power supply	230v	110v (Some models)

### Standards:

- No. 2004/108/CE EMC directive
- No. 2006/95/CE "DBT low voltage directive"
- No. 2011/65/UE , 2002/96/CE "RoHS and WEEE directives"

### Package size: (LxHxW)

350x160x300 mm

INSTALLATION KIT			
	pH electrode with 5m cable ADELPH05		PP Injection valve M ½ Gas ADSP6200007
	Wall fixing bracket ADSP6020221		pH4 and pH7 buffer solutions ADSPH4 - ADSPH7
	PE injection pipe (2 m) ADSP6000078		Threaded probe holder ADPST1
	x2 PVC crystal Pipe (2m) ADSP6000546		Foot filter 4x6 ADSP6000001
	Wall plugs and screws ADSP6000041		

CODE	FLOW RATE	PRESSURE	STROKES	STROKE VOLUME	CONSUMPTION	TUBE	PUMP HEAD	PACKING	WEIGHT	VOLUME
	l/h	bar								
AD9620004000	2	8	150	0.22	14	4x6	PP ½"	1	3	0.016
	5	5		0.56						
	7	2		0.78						
AD96203004000	10	4	180	0.93	16	4x6	PP ½"	1	3	0.016
	12	2		1.11						
	14	0		1.30						
	20	3		1.11						
AD96209004000	25	2	300	1.39	22	4x6	PP ½"	1	3	0.016
	35	0		1.66						

## HC 151 Rx **NEW**

### Context of use:

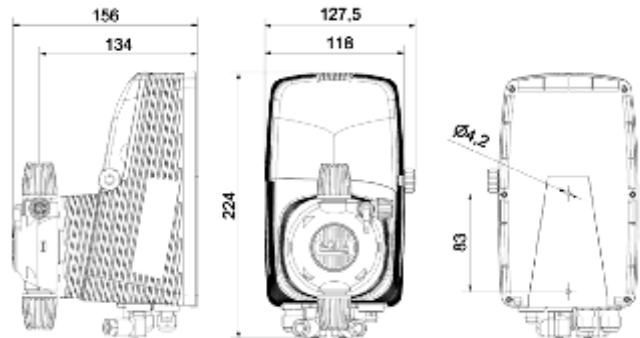
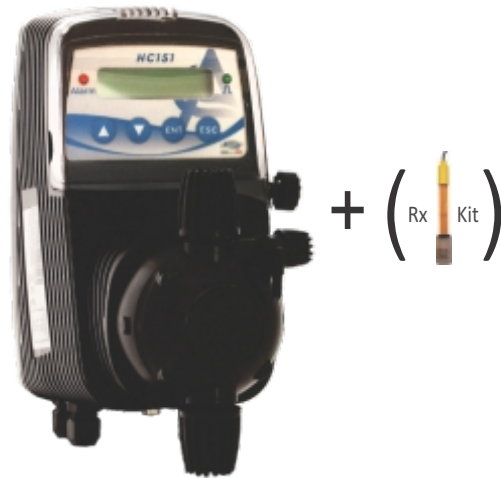
- For private pools, to dose chlorine or other disinfectants depending on the Rx potential read with the built-in tool.

### Description:

- Electromagnetic pump with built-in Rx tool to dose the chlorine or other disinfectants with installation kit and equipment.
- Multifunction solenoid digital dosing pumps. Dosing mode selectable in constant or proportional mode.
- Reinforced PP housing, suitable for aggressive working environments;
- Input: level probe, inhibit, standby, flow sensor, injection;
- Output: alarm or dosing relay;
- Statistics;
- Password;
- Language and Unit measure selectable;
- Calibration flow-rate;
- Simplified setting by user menu;
- Alphanumeric display, 2 lines 16 characters, to simplify pump managing, during the working mode and during the programming;
- Power supply 230 Vac. Upon request: 110V;
- IP65 protection degree;
- Wall mounting bracket supplied in installation kit;
- Manual bleed valve (priming);
- High flow rate;
- Measurement range 0-999 mV;
- Level probe compatible;
- Power supply 220-230V 50/60Hz;
- Upon request PI-mA version available.

### Working mode:

- Constant flow-rate On/Off mode (flow rate in %)
- Self-calibration of measure probe
- Proportional dosing to the selected setpoint value
- Selectable Alarms: Level (with "reserve", early warning), Flow (flow sensor input), Strokes (max number of strokes), OFA (Over Feed Alarm), RANGE.
- The kit contains:
  - Suction/injection pipe;
  - mV buffer solution to calibrate the electrode;
  - Wall fixing bracket and dowels;
  - Probe holder G $\frac{1}{2}$ ";
  - Rx electrode;
  - Foot filter and injection valve.



### Technical features:

	Standard version	Upon request
Pump body	PP	PVDF/PVC auto. bleeding
Pump housing	PP	-
Diaphragm	PTFE	-
Balls	PYREX	PTFE; ceramic
Body valve	PP	PVDF
O-rings	Viton®	Dutral®
Injection ball valve (Spring)	Hastelloy/Pyrex	Hastelloy - ceramic
Injection fitting	PP	PVDF
Foot valve	PP	PVDF
Power supply	230v	110v (Some models)

### Standards:

- No. 2004/108/CE EMC directive
- No. 2006/95/CE "DBT low voltage directive"
- No. 2011/65/UE , 2002/96/CE "RoHS and WEEE directives"

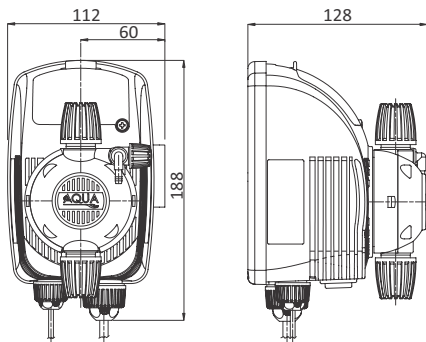
### Package size: (LxHxW)

192x160x250 mm

INSTALLATION KIT			
	Rx electrode with 5m cable ADELTX05		PP Injection valve M $\frac{1}{2}$ Gas ADSP6200007
	Wall fixing bracket ADSP6020221		mV 475 buffer solution ADSRX
	PE injection pipe (2 m) ADSP6000078		Threaded probe holder ADPST1
	x2 PVC crystal Pipe (2m) ADSP6000546		Foot filter 4x6 ADSP6000001
	Wall plugs and screws ADSP6000041		

CODE	FLOW RATE	PRESSURE	STROKES	STROKE VOLUME	CONSUMPTION	TUBE	PUMP HEAD	PACKING	WEIGHT	VOLUME
	l/h	bar								
AD96200005000	2	8	150	0.22	14	4x6	PP $\frac{1}{2}$ "	1	2.86	0.007
	5	5		0.56						
	7	2		0.78						
AD96203005000	10	4	180	0.93	16	4x6	PP $\frac{1}{2}$ "	1	2.86	0.007
	12	2		1.11						
	14	0		1.30						
AD96209005000	20	3	300	1.11	22	4x6	PP $\frac{1}{2}$ "	1	2.86	0.007
	25	2		1.39						
	35	0		1.66						

# Chemical Dosing Equipment



## HC 897

### Context of use:

- Constant flow rate dosing pump with pulse frequency regulation. Easy to set, with a single adjustment potentiometer and a LED. Level probe compatible

### Description:

- Analogue electromagnetic constant flow rate dosing pump
- High-strength PBT container, suitable for high temperatures (both places and liquids)
- Level probe input
- Double pulse regulation scale 0-100% or 0-20%
- Power supply: 220VAC – 50/60Hz
- On-Off switch
- IP65 protection
- Analogue interface with one knob and a LED
- Manual priming valve
- Wall or foot mounting (brackets included in the kit)

### Technical features:

- DOUBLE REGULATION SCALE 0-100% O 0-20% - precise dosing even at low flow rates
- PVDF BODY PUMP - high chemical compatibility
- FIXING BRACKET - to simplify the installation
- PBT CASE - high mechanical resistance - eco-friendly - ergonomic - low flammability
- BUILT-IN PIPE HOLDER - safe and clean installation
- REMOVABLE CONNECTIONS - easy maintenance of the pump

	Standard version	Upon request
Pump body	PVCF	-
Diaphragm	PTFE	-
Balls	PTFE	PTFE or ceramic
Body valve	PVDF	-
O-rings	Viton®	Dutral®
Spring loaded injection valve	Hastelloy/PTFE	Hastelloy - ceramic
Injection fitting	PVDF	-
Foot valve	PVDF	-
Power supply	230v	110v

### Standards:

- No. 2004/108/CE EMC directive
- No. 2006/95/CE "DBT low voltage directive"
- No. 2011/65/UE , 2002/96/CE "RoHS and WEEE directives"

### Package size: (LxHxW)

192x160x250 mm

INSTALLATION KIT			
	Wall fixing bracket ADSP6020221	x2 	PVC crystal Pipe (2m) ADSP6000546
	Support base ADBAS100		PVDF Foot valve PVDF Injection valve ADSP6000028 ADSP6200031
	PE injection pipe (2 m) ADSP6000078		Wall plugs and screws ADSP6000041

CODE	FLOW RATE	PRESSURE	STROKES BPM/SPM	STROKE VOLUME ml/colpo	CONSUMPTION Watt	TUBE	PUMP HEAD	PACKING	WEIGHT kg	VOLUME m <sup>3</sup>
	l/h	bar								
AD89000010000	2	8	150	0.22	15	4x6	PVDF ½"	1	2.86	0.007
	5	5		0.55						
	7	2		0.77						
AD89001010000	7	4	150	0.77	15	4x6	PVDF ½"	1	2.86	0.007
	8	2		0.88						
	10	0		1.11						
AD89002010000	3	12	150	0.33	20	4x6	PVDF ½"	1	2.86	0.007
	4	10		0.44						
	5	8		0.55						
	10	4		0.93						
AD89003010000	12	2	180	1.11	20	4x6	PVDF ½"	1	2.86	0.007
	14	0		1.29						
	2	20		0.44						
AD89007010000	2.5	18	75	0.55	20	4x6	PVDF ½"	1	2.86	0.007
	3	15		0.66						

## HC997 PI-MA-CLK

### Context of use:

- Multi-function dosing pump. Microprocessor, display and digital control technology. Constant functioning with flow rate regulation in pulse/minute; pulse/hour; pulse/day. Daily/weekly programmable timer.

### Description:

- Up to 8 programmes for each day of the week. Power supply 220- 230V 50/60Hz. 110 V 50/60 Hz upon request.

- Level probe compatible. Protection password and dosing statistics control

### Technical Features:

- Proportional 0/4-20mA, Ppm, 1xN, 1:N, 1xN (M) Ist, 1xN (M) Prop. - Constant: Flow rate, Time, Quantity to dose, Cyclic - Timer Mode: Daily and weekly



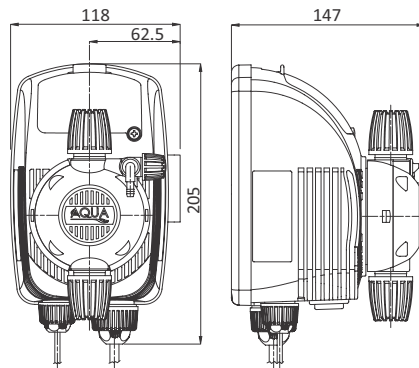
	Standard version	Upon request
Pump body	PVCF	-
Diaphragm	PTFE	-
Balls	PTFE	PTFE or ceramic
Body valve	PVDF	-
O-rings	Viton®	Dutral®
Spring loaded injection valve	Hastelloy/P TFE	Hastelloy - ceramic
Injection fitting	PVDF	-
Foot valve	PVDF	-
Power supply	230v	110v

### Standards:

- No. 2004/108/CE EMC directive
- No. 2006/95/CE "DBT low voltage directive"
- No. 2011/65/UE , 2002/96/CE "RoHS and WEEE directives"

### Package size: (LxHxW)

192x160x250 mm



### INSTALLATION KIT

	Wall fixing bracket ADSP6020221	x2 	PVC crystal Pipe (2m) ADSP6000546
	Support base ADBAS100		PVDF Foot valve PVDF Injection valve ADSP6000028 ADSP6200031
	PE injection pipe (2 m) ADSP6000078		Wall plugs and screws ADSP6000041

CODE	FLOW RATE	PRESSURE	STROKES	STROKE VOLUME	CONSUMPTION	TUBE	PUMP HEAD	PACKING	WEIGHT	VOLUME
	l/h	bar	BPM/SPM	ml/colpo	Watt				kg	m <sup>3</sup>
AD97100010000	2	8	150	0.22	18	4x6	PVDF ½"	1	2.86	0.007
	5	5		0.55						
	7	2		0.77						
AD97101010000	7	4	150	0.77	18	4x6	PVDF ½"	1	2.86	0.007
	8	2		0.88						
	10	0		1.11						
AD97102010000	3	12	150	0.33	22	4x6	PVDF ½"	1	2.86	0.007
	4	10		0.44						
	5	8		0.55						
AD97103010000	10	4	180	0.93	22	4x6	PVDF ½"	1	2.86	0.007
	12	2		1.11						
	14	0		1.29						
AD97107010000	2	20	75	0.44	22	4x6	PVDF ½"	1	2.86	0.007
	2.5	18		0.55						
	3	15		0.66						

# Chemical Dosing Equipment



## HC999 PI-MA-CLK

### Context of use:

Multifunction HIGH FLOW RATE dosing pump. Microprocessor, display and digital control technology. Constant functioning with flow rate regulation in pulse/minute; pulse/hour; pulse/ day. Daily/weekly programmable timer.

### Description:

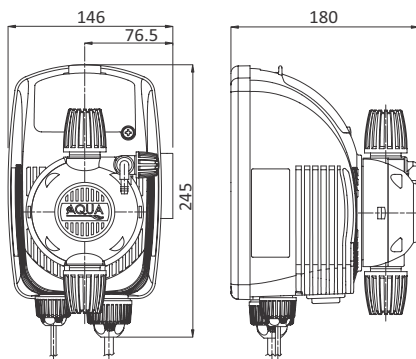
- Up to 8 programmes for each day of the week.
- Power supply 220-230V 50/60Hz. 110 V 50/60 Hz upon request.
- Level probe compatible.
- Protection password and dosing statistics control

### Standards:

- No. 2004/108/CE EMC directive
- No. 2006/95/CE "DBT low voltage directive"
- No. 2011/65/UE , 2002/96/CE "RoHS and WEEE directives"

### Package size: (LxHxW)

350x160x300 mm



Technical Features:	Standard version		Upon request
	mod. 1-2-3	mod. 4	
Pump body	PP	PVC	-
Diaphragm	PBT	PBT	-
Balls	PTFE	PTFE	PTFE
Valves	PYREX	PYREX	PVDF
O-rings	Viton®	Viton®	Dutral®
Spring ball injection valve	Hastelloy/P YREX	Hastelloy/P YREX	Hastelloy - PTFE
Injection fitting	PP	PVC	PVDF (Mod. 1-2-3)
Foot valve	PP	PVC-PP	PVDF
Power supply	230v	230v	115v

## INSTALLATION KIT



CODE	DESCRIPTION	Mod. 1-2	Mod. 3	Mod. 4
ADSP6000078	PE delivery tube 4x6 (2m)	✓	-	-
ADSP6000546	PVC crystal tube 4x6 (suction + bleed) (2 m)	2x	2x	-
ADSP6000370	PE delivery tube 6x8	-	2 m	-
ADSP6000016	PE 10x14 delivery tube	-	-	2 m
ADSP6000440	PVC 10x14 suction tube	-	-	2 m
ADSP6000001	Foot filter PP 4x6	✓	✓	-
ADSP6000774	PP foot filter 10x14	-	-	✓
ADSP6200007	Injection valve ball 1/2" PP 4x6	✓	-	-
ADSP6200018	Injection valve 1/2" 6x8 Viton®	-	✓	-
ADSP6000051	Injection valve 1/2" 10x14 Viton®	-	-	✓
ADSP6020221	Wall fixing bracket	✓	✓	✓
ADSP6000041	Anchors and screws	✓	✓	✓
ADBAS100	Horizontal mounting bracket	✓	✓	✓

CODE	MODEL	FLOW RATE	PRESSURE	STROKES	STROKE VOLUME	CONSUMPTION	TUBE	PUMP HEAD	PACKING	WEIGHT	VOLUME
		l/h	bar								
AD99101000000	1	10	10	200	0.22	35	4x6	PP ½"	1	5.4	0.016
		12	8		0.55						
		14	5		0.77						
AD99102000000	2	4	20	100	0.77	35	4x6	PP ½"	1	5.4	0.016
		4.5	18		0.88						
AD99103000000	3	5	15	150	1.11	35	4x6 / 6x8	PP ½"	1	5.4	0.016
		20	5		0.33						
AD991040Y0000	4	25	3	150	0.44	35	10x14	PVV ½"	1	5.4	0.016
		35	1		0.55						
		35	2		0.93						
		45	1		1.11						
		50	0.5		1.29						

## HC200 PH

### Context of use:

- For private pools, to dose the acid/alkaline corrector with the built-in pH reading tool.

### Description:

- Electromagnetic pump with built-in pH tool for a proportional dosing of acid/alkaline products.
- High flow rate
- Mechanic run adjustment (volume injection)
- Measurement range 0-14 pH
- Level probe compatible
- Power supply 220-230V 50/60Hz.
- The kit contains:
  - Suction/injection pipe
  - mV buffer solution to calibrate the electrode
  - Wall fixing bracket and dowels
  - Collar bracket for DN50 pipe and G $\frac{1}{2}$ " probe holder
  - pH electrode
  - Foot filter.

### Technical Features:

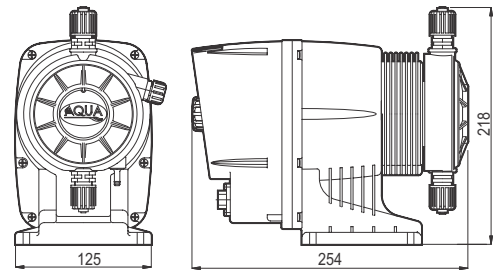
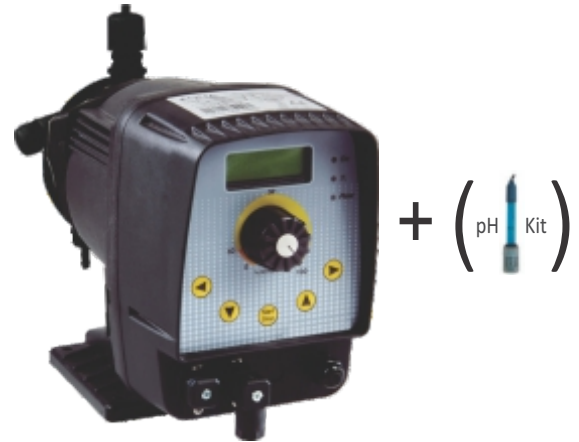
	Standard version	Upon request
Pump body	pp	PVDC, PVC Auto. bleeding
Diaphragm	PTFE	-
Balls	PP	PTFE ; ceramic
Valve fitting	PP	PVDF
O-rings	Viton®	Dutral®
Spring loaded injection valve	Hastelloy	Hastelloy - ceramic
Injection fitting	PP	PVDF
Foot strainer	PP	PVDF
Suction and air bleed pipe	PVC	-
Delivery pipe	PE	-
Power supply	230v	110v

### Standards:

- No. 2004/108/CE EMC directive
- No. 2006/95/CE "DBT low voltage directive"
- No. 2011/65/UE , 2002/96/CE "RoHS and WEEE directives"

### Package size: (LxHxW)

350x160x300 mm



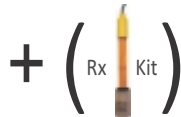
### INSTALLATION KIT

	pH electrode with 5m cable ADELTPH05		Foot filter 4x6 ADSP6000001
	PE injection pipe (2 m) ADSP6000078		PP Injection valve M $\frac{1}{2}$ Gas ADSP6200007
	x2 PVC crystal Pipe (2m) ADSP6000546		Threaded probe holder ADPST1
	pH4 and pH7 buffer solutions ADSPH4 - ADSPH7		

CODE	FLOW RATE	PRESSURE	STROKES	STROKE VOLUME	CONSUMPTION	TUBE	PUMP HEAD	PACKING	WEIGHT	VOLUME
	l/h	bar	BPM/SPM	ml/colpo	Watt				kg	m <sup>3</sup>
AD2300418000P000	4	18	120	0.55	34	4x6	PP 3/8"	1	4.75	0.016
	6.8	9		0.94						
	12	1		1.66						
AD2301010000P000	10	10	120	1.38	34	4x6	PP3/8"	1	4.75	0.016
	12.6	5		1.75						
	17	1		2.36						
	15	3		2.08						
AD2301503000P000	16	1.5	120	2.22	34	4x6	PP 3/8"	1	4.75	0.016
	18	1		2.50						



# Chemical Dosing Equipment



## HC200 RX

### Context of use:

- For private pools, to dose chlorine or other disinfectants depending on the Rx potential read with the built-in tool.

### Description:

- Electromagnetic pump with built-in Rx tool for the proportional dosing of chlorine or other disinfectants, with installation kit and equipment.

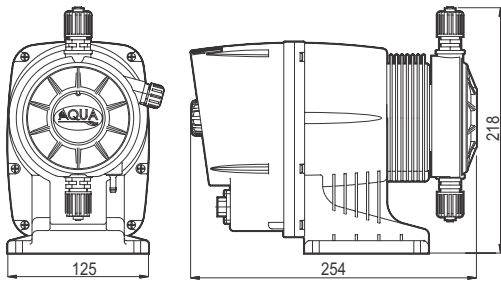
- High flow rate
- Mechanic run adjustment (volume injection)
- Measurement range 0-999 mV
- Level probe compatible
- Power supply 220-230V 50/60Hz.

### The kit contains:

- suction/injection pipe
- mV buffer solution to calibrate the electrode
- wall fixing bracket and dowels
- collar bracket for DN50 pipe and G½" probe holder
- Rx electrode
- foot filter.

### Technical Features:

	Standard version	Upon request
Pump body	pp	PVDC, PVC Auto. bleeding
Diaphragm	PTFE	-
Balls	PP	PTFE ; ceramic
Valve fitting	PP	PVDF
O-rings	Viton®	Dutral®
Spring loaded injection valve	Hastelloy	Hastelloy - ceramic
Injection fitting	PP	PVDF
Foot strainer	PP	PVDF
Suction and air bleed pipe	PVC	-
Delivery pipe	PE	-
Power supply	230v	110v



INSTALLATION KIT			
	Rx electrode with 5m cable <b>ADELTRX05</b>		Foot filter 4x6 <b>ADSP6000001</b>
	PE injection pipe (2m) <b>ADSP6000078</b>		PP Injection valve M 1/2 Gas <b>ADSP6200007</b>
	x2 PVC crystal Pipe (2m) <b>ADSP6000546</b>		Threaded probe holder <b>ADPST1</b>
	mV 475 buffer solution <b>ADSRX</b>		

### Standards:

- No. 2004/108/CE EMC directive
- No. 2006/95/CE "DBT low voltage directive"
- No. 2011/65/UE , 2002/96/CE "RoHS and WEEE directives"

### Package size: (LxHxW)

350x160x300 mm

CODE	FLOW RATE l/h	PRESSURE bar	STROKES BPM/SPM	STROKE VOLUME ml/colpo	CONSUMPTION Watt	TUBE	PUMP HEAD	PACKING	WEIGHT kg	VOLUME m <sup>3</sup>
AD2300418000R000	4	18	120	0.55	34	4x6	PP 3/8"	1	4.75	0.016
	6.8	9		0.94						
	12	1		1.66						
AD2301010000R000	10	10	120	1.38	34	4x6	PP3/8"	1	4.75	0.016
	12.6	5		1.75						
	17	1		2.36						
AD2301503000R000	15	3	120	2.08	34	4x6	PP 3/8"	1	4.75	0.016
	16	1.5		2.22						
	18	1		2.50						

## HC201

### Context of use:

- For private pools, to dose chemicals by time.

### Description:

- Multi-function dosing pump. Mechanic adjustment of each injection. Microprocessor, display and digital control technology.
- Proportional functioning with external digital signal, with input pulses divider and multiplier.
- Proportional functioning with 4-20 mA direct and inverse analogue signal. Constant functioning with flow rate adjustment in pul/minute, min. 1 pulse/10 minutes. Timed functioning with daily/ weekly timer. Level probe compatible (probe and connector not included)
- IP65 protection.

### Technical Features:

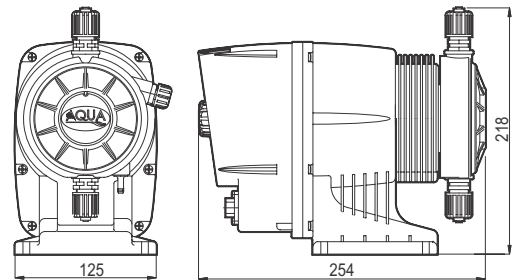
	Standard version	Upon request
Pump body	PVDF	PVC Auto. bleeding
Diaphragm	PTFE	-
Balls	PVDF	PTFE ; ceramic
Valve fitting	PVDF	-
O-rings	Viton®	Dutral®
Spring loaded injection valve	Hastelloy	Hastelloy - ceramic
Injection fitting	PVDF	-
Foot strainer	PVDF	-
Suction and air bleed pipe	PVC	-
Delivery pipe	PE	-
Power supply	230v	110v

### Standards:





- No. 2004/108/CE EMC directive
- No. 2006/95/CE "DBT low voltage directive"
- No. 2011/65/UE , 2002/96/CE "RoHS and WEEE directives"

### Package size: (LxHxW)

355x160x300 mm



### INSTALLATION KIT

	PE injection pipe (2 m) <b>ADSP6000078</b>		PVDF Foot valve <b>ADSP6000028</b>
	x2 PVC crystal Pipe (2m) <b>ADSP6000546</b>		PVDF Injection valve <b>ADSP6200031</b>

CODE	FLOW RATE	PRESSURE	STROKES	STROKE VOLUME	CONSUMPTION	TUBE	PUMP HEAD	PACKING	WEIGHT	VOLUME
	l/h	bar	BPM/SPM	ml/colpo	Watt				kg	m <sup>3</sup>
<b>AD24004180P0400</b>	4	18	120	0.55	34	4x6	PP 3/8"	1	4.75	0.016
	6.8	9		0.94						
	12	1		1.66						
<b>AD24010100P00400</b>	10	10	120	1.38	34	4x6	PP3/8"	1	4.75	0.016
	12.6	5		1.75						
	17	1		2.36						
	15	3		2.08						
<b>AD24015030P00400</b>	16	1.5	120	2.22	34	4x6	PP 3/8"	1	4.75	0.016
	18	1		2.50						

# Chemical Dosing Equipment

## 3- PRE-ASSEMBLED PANELS



### A-TECHNOPOOL SYSTEM PH-RX

Complete Panel with proportional control of pH & Redox comprises:

- 1 Twin peristaltic pump TECHNOPOOL pH-Rx.
- Modular probe holder with pre-filter, water check valve and flow sensor.
- pH and Redox electrodes & buffer solutions.
- 2 low level switches.

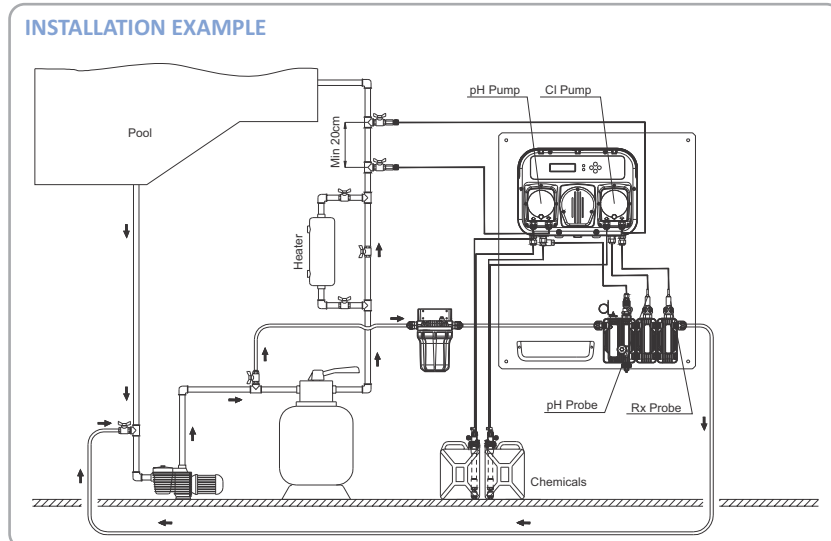
#### Standards:

- No. 2004/108/CE EMC directive
- No. 2006/95/CE "DBT low voltage directive"
- No. 2011/65/UE , 2002/96/CE "RoHS and WEEE directives"

#### Package size: (LxHxW)

660x560x270 mm

INSTALLATION KIT			
	Rx electrode with 1 m cable ADELTRX01		pH4 and pH7 buffer solutions ADSPH4 - ADSPH7
	pH electrode with 1m cable ADELTPH01		x2 PP foot valve ADSP6000001
	x2 PE injection pipe (2 m) ADSP6000078		x2 PP bottom valve M½ Gas (PP-VL-VT) ADSP6000049
	x2 PVC crystal Pipe (2m) ADSP6000546		x2 By-pass connectors PP ADSP5005002 ADSP5004002
	mV 475 buffer solution ADSRX		Tube 10x14 soft type PVC - 4m ADSP6000440



CODE	FLOW RATE l/h	PRESSURE bar	WATT	TUBE	DIMENSION mm	PACKING	WEIGHT kg	VOLUME m <sup>3</sup>
ADPSP01	1.5-3	1-1	12	4x6	500x600x200	1	7	0.1

## A-POOL SYSTEM PH-RX

Complete Panel with proportional control of pH and Redox for swimming pool up to 500 m<sup>3</sup> comprises:

- 1 AQUAPOOL pump pH-Rx PVDF-PTFE-VT.
- Modular probe holder with pre-filter, water check valve and flow sensor.
- PH and Redox electrodes and buffer solutions.
- 2 low level switches.

### Technical Features:

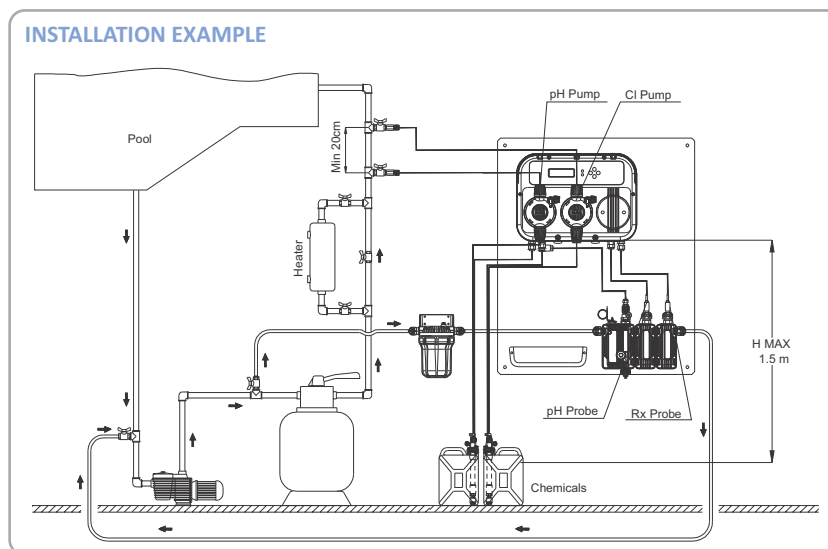
	Standard version
Pump body	PVDF
Diaphragm	PTFE
Balls check valves	PTFE
Valve fitting	PVDF
Seals/O-rings	Viton®
Injection fitting	PVDF
Foot Valve	PVDF



### Standards:

- No. 2004/108/CE EMC directive
- No. 2006/95/CE "DBT low voltage directive"
- No. 2011/65/UE , 2002/96/CE "RoHS and WEEE directives"

### Package size: (LxHxW)

660x560x270 mm



INSTALLATION KIT			
	Rx electrode with 1 m cable <b>ADELTRX01</b>		pH4 and pH7 buffer solutions <b>ADSPH4 - ADSPH7</b>
	pH electrode with 1m cable <b>ADELTPH01</b>		x2 PVDF Foot valve <b>ADSP6000028</b>
	x2 PE injection pipe (2 m) <b>ADSP6000078</b>		x2 PP bottom valve M 1/2 Gas <b>ADSP6200031</b>
	x4 PVC crystal Pipe (2m) <b>ADSP6000546</b>		x2 By-pass connectors PP <b>ADSP5005002</b> <b>ADSP5004002</b>
	mV 475 buffer solution <b>ADSRX</b>		Tube 10x14 soft type PVC - 4m <b>ADSP6000440</b>

CODE	FLOW RATE l/h	PRESSURE bar	WATT	TUBE	DIMENSION mm	PACKING	WEIGHT kg	VOLUME m <sup>3</sup>
<b>ADPS100</b>	5-5	5-5	35	4x6	500x600x200	1	10	0.1
<b>ADPS101</b>	10-10	4-4	45	4x6	500x600x200	1	10	0.1

# Chemical Dosing Equipment



## A-POOL SYSTEM PH-CL

Complete Panel with proportional control of pH and free chlorine for swimming pool up to 500 m<sup>3</sup> comprises:

- 1 AQUAPOOL pump pH-Cl PVDF-PTFE-VT.
- Modular probe holder with: pre-filter, water check valve and flow sensor.
- PH and Pt-Cu electrodes and pH buffer solutions.
- 2 low level switches.

### Technical Features:

	Standard version
Pump body	PVDF
Diaphragm	PTFE
Balls check valves	PTFE
Valve fitting	PVDF
Seals/O-rings	Viton®
Injection fitting	PVDF
Foot Valve	PVDF

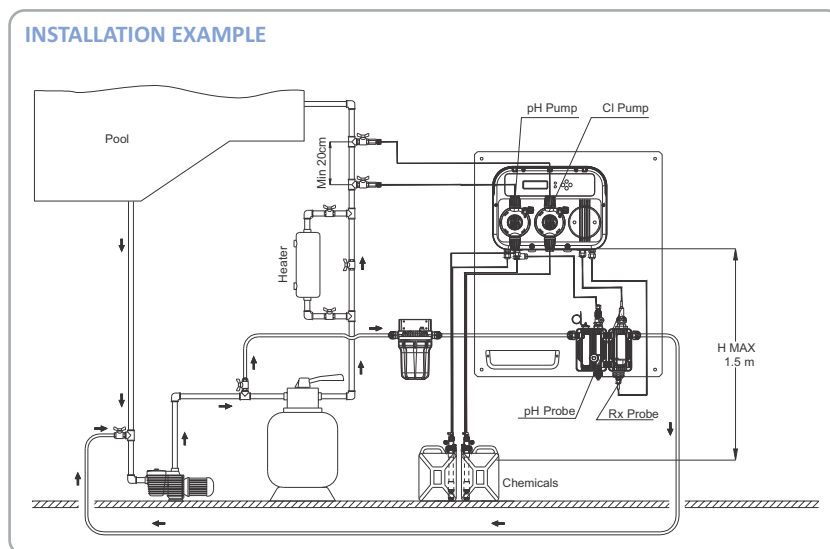
### Standards:

- No. 2004/108/CE EMC directive
- No. 2006/95/CE "DBT low voltage directive"
- No. 2011/65/UE , 2002/96/CE "RoHS and WEEE directives"

### Package size: (LxHxW)

660x560x270 mm

INSTALLATION KIT			
	pH4 and pH7 buffer solutions ADSPH4 - ADSPH7	x2	PVDF Foot valve ADSP6000028
	pH electrode with 1m cable ADELTPH01	x2	PP bottom valve M 1/2 Gas ADSP6200031
	PE injection pipe (2 m) ADSP6000078	x2	By-pass connectors PP ADSP5005002 ADSP5004002
	PVC crystal Pipe (2m) ADSP6000546		Tube 10x14 soft type PVC - 4m ADSP6000440
	5" water filter fitted with 80 micron net cartridge ADFV3		



CODE	FLOW RATE l/h	PRESSURE bar	WATT	TUBE	DIMENSION mm	PACKING	WEIGHT kg	VOLUME m <sup>3</sup>
ADPS200	5-5	5-5	35	4x6	500x600x200	1	10	0.1
ADPS201	10-10	4-4	45	4x6	500x600x200	1	10	0.1

## A-POOL SYSTEM PH-CLJ

Complete Panel with proportional control of pH & free chlorine for swimming pool up to 500 m<sup>3</sup> comprises:

- 1 AQUAPOOL pump pH-CIJ PVDF-PTFE-VT.
- Modular probe holder with pre-filter, water check valve and flow sensor.
- pH and Cl electrodes (ADELCLJ25) & pH buffer solutions.
- 2 low level switches.

### Technical Features:

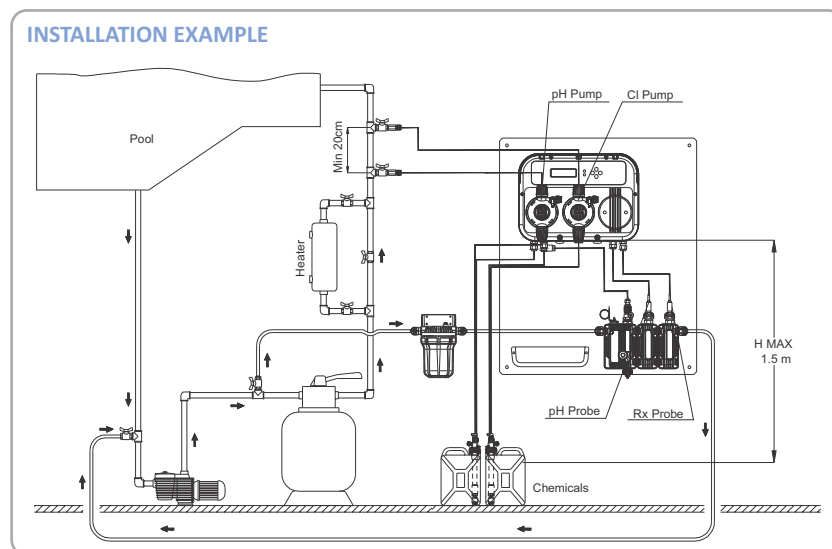
	Standard version
Pump body	PVDF
Diaphragm	PTFE
Balls check valves	PTFE
Valve fitting	PVDF
Seals/O-rings	Viton®
Injection fitting	PVDF
Foot Valve	PVDF

### Standards:

- No. 2004/108/CE EMC directive
- No. 2006/95/CE "DBT low voltage directive"
- No. 2011/65/UE , 2002/96/CE "RoHS and WEEE directives"

### Package size: (LxHxW)

660x560x270 mm



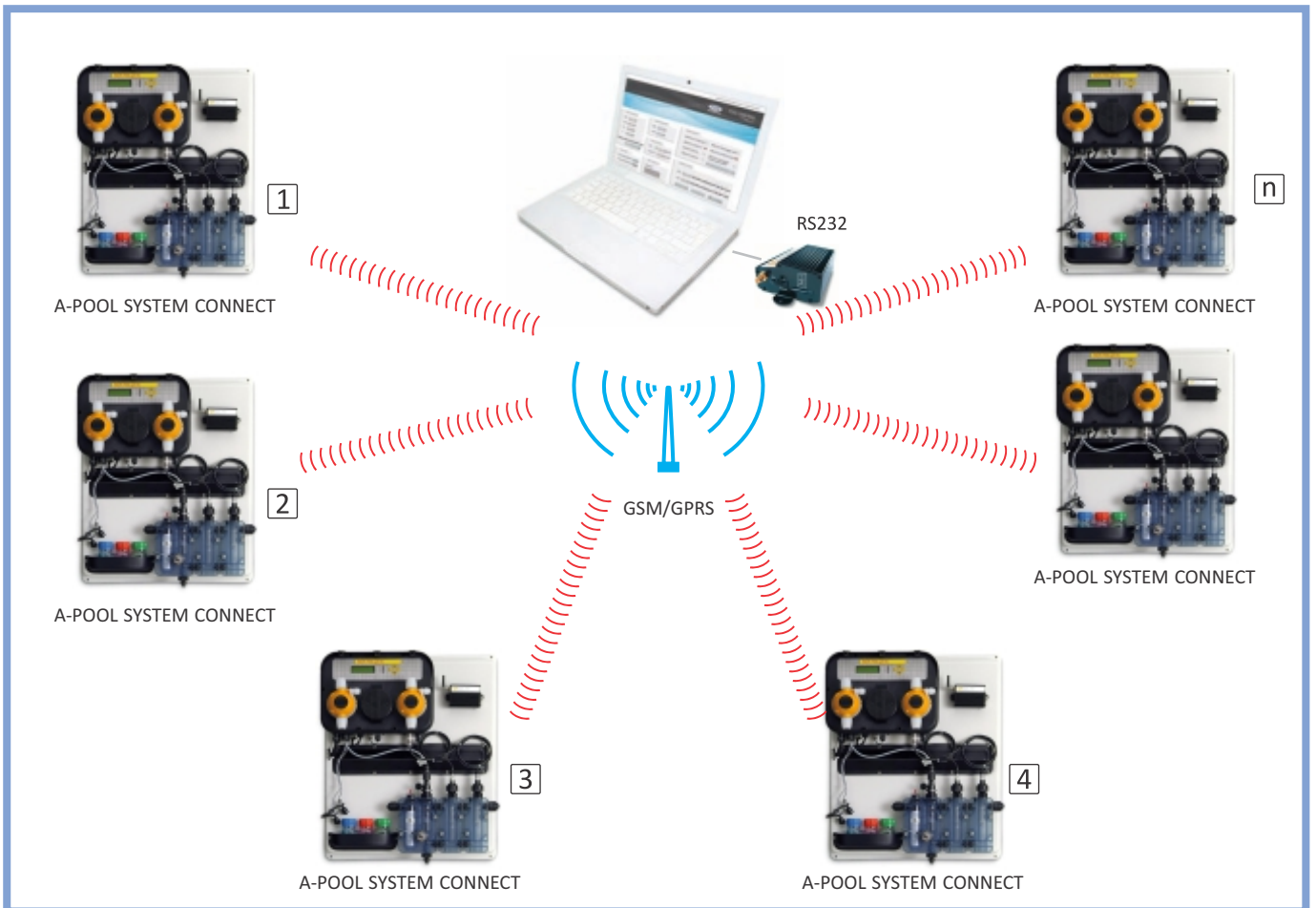
### INSTALLATION KIT

	Amperometric probe for free chlorine reading low pH influence ADELCLJ25		pH4 and pH7 buffer solutions ADSPH4 - ADSPH7
	pH electrode with 1m cable ADELTPH01	x2 	PVDF Foot valve ADSP6000028
x2 	PE injection pipe (2 m) ADSP6000078	x2 	PP bottom valve M 1/2 Gas ADSP6200031
x4 	PVC crystal Pipe (2m) ADSP6000546	x2 	By-pass connectors PP ADSP5005002 ADSP5004002
	5" water filter fitted with 80 micron net cartridge ADFV3		Tube 10x14 soft type PVC - 4m ADSP6000440

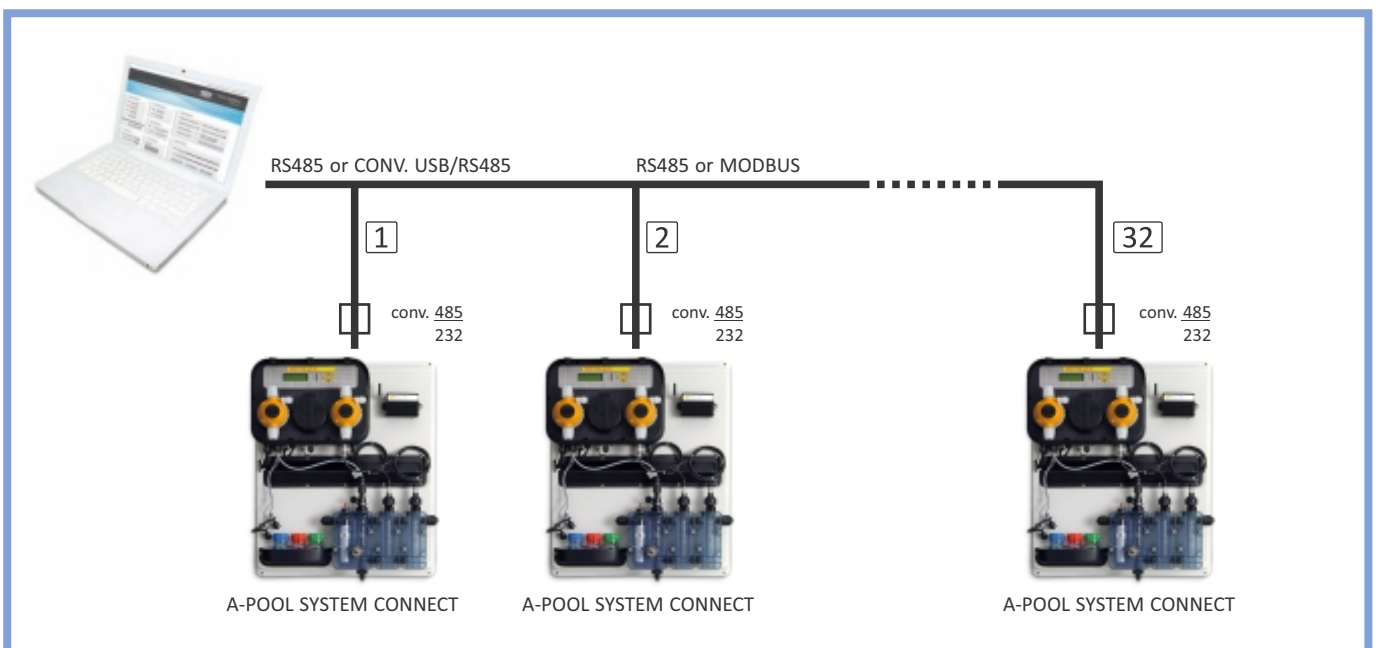
CODE	FLOW RATE l/h	PRESSURE bar	WATT	TUBE	DIMENSION mm	PACKING	WEIGHT kg	VOLUME m <sup>3</sup>
ADPS300	5-5	5-5	35	4x6	500x600x200	1	10	0.1
ADPS301	10-10	4-4	45	4x6	500x600x200	1	10	0.1

# Chemical Dosing Equipment

## GSM/GPRS REMOTE CONNECTION SCHEME



## CABLE CONNECTION SCHEME UP TO 1 KM POSSIBLE FOR A-POOL SYSTEM CONNECT



## GSM/GPRS MODEM

- GSM/GPRS modem for connect version with: remote control software via PC (for a correct connection 2 modems are required: a transmission and a reception one).



CODE	DESCRIPTION
ADGSM	GSM/GPRS Modem Complete with PC SW and Short Antenna
ADGSMAN	Short Antenna
ADGSMAN4	Antenna 4m

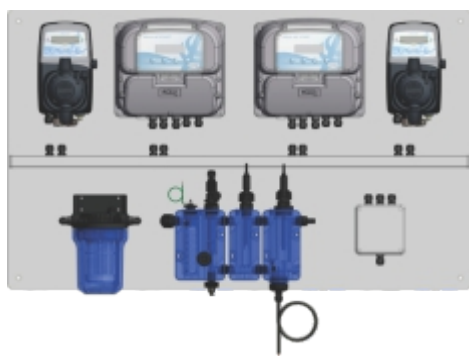
## SERIAL CABLES AND EQUIPMENT



CODE	DESCRIPTION	VERSION
ADSP6000659	Null-modem Adaptor	Connect
ADRSMM2	Serial Cable M-M 2m	Connect
ADRSDF3	Serial Cable M-M 3m	Connect
ADRSIMF3	Null-modem Adaptor M-F 3m	Connect
ADSP6000658	USB-RS232 Adaptor Cable	Connect
ADSP6000657	RS485 Cable For Basic System Pool	Standard



# Chemical Dosing Equipment



## A-POOL TOP EVO PH-CL

- Control panel and proportional regulation of pH and Chlorine from 0-5,00 ppm for private pools composed by:
  - N.2 AE START pH-Rx
  - N.2 HC151 mA
  - N°1 chlorine cell (Pt-Cu) complete with flow sensor and regulator (cod. ADCG5F)
  - pH electrode
  - Pt-Cu probe for PPM Cholrine reading
  - Temperature probe
  - pH buffer solutions
  - 2 level probes
- Power supply 220-230V 50/60Hz
- Available upon request customized solution for public pools up to 2500mc.









### Technical Features:

	Standard version	Upon request
Pump head	PP	PVDF/PVC auto. bleeding
Pump housing	PP	-
Diaphragm	PTFE	-
Balls	PYREX	PTFE; ceramic
Body valve	PP	PVDF
O-rings	Viton®	Dutral®
Injection ball valve (Spring)	Hastelloy/Pyrex	Hastelloy - ceramic
Injection fitting	PP	PVDF
Foot valve	PP	PVDF
Power supply	230v	110v

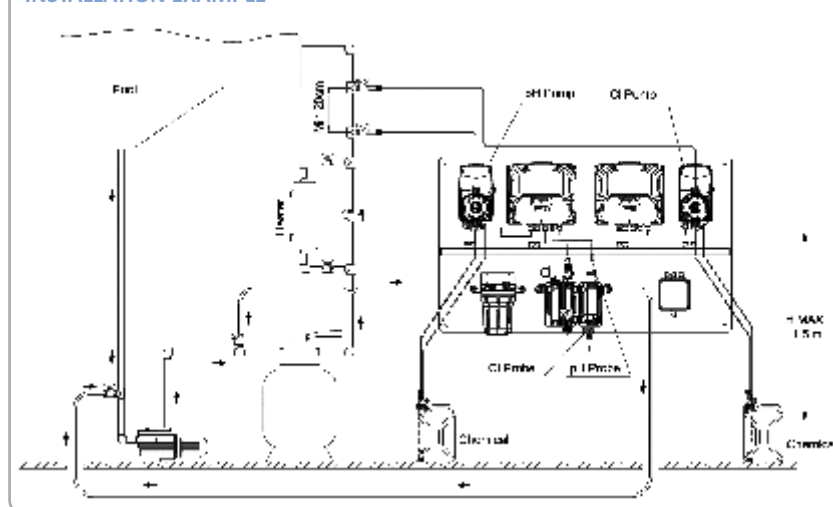
### Package size: (LxHxW)

660x560x270 mm

### INSTALLATION KIT

	pH4 and pH7 buffer solutions ADSPH4 - ADSPH7		5" water filter fitted with 80 micron net cartridge ADFV3
	pH electrode with 1m cable ADELTPH01		x2 PP foot valve ADSP6000001
	x2 PE injection pipe (2 m) ADSP6000078		x2 PP bottom valve M½ Gas (PP-VL-VT) ADSP6200007
	x4 PVC crystal Pipe (2m) ADSP6000546		x2 By-pass connectors PP ADSP5005002 ADSP5004002

### INSTALLATION EXAMPLE



CODE	FLOW RATE l/h	PRESSURE bar	WATT	TUBE	DIMENSION mm	PACKING	WEIGHT kg	VOLUME m³
ADPTE01	10 - 10	4 - 4	35	4x6	500x600x200	1	10	0.1
ADPTE02	20 - 20	3 - 3	35	4x6	500x600x200	1	10	0.1

## A-POOL TOP PRO EVO PH-CLJ

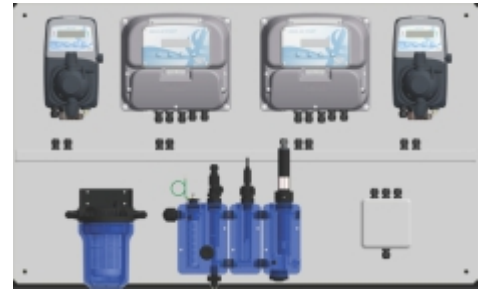
- Control panel and proportional regulation of pH and Chlorine from 0-5,00 ppm for private pools composed by:
  - N.2 AE START pH-CLJ
  - N.2 HC151 mA
  - Modular probe holder for pH and J probes
  - pH electrode
  - A-J probe for Chlorine
  - temperature probe;
  - pH buffer solutions.
  - 2 level probes
  - Power supply 220-230V 50/60Hz
- Available upon request hydrogen peroxide or bromine version
- Available upon request customized solution for public pools up to 2500mc.

### Technical Features:

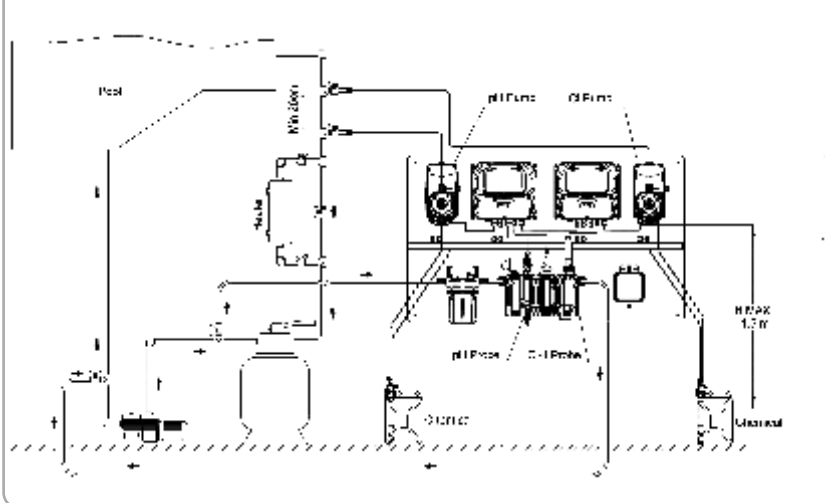
	Standard version	Upon request
Pump head	PP	PVDF/PVC auto. bleeding
Pump housing	PP	-
Diaphragm	PTFE	-
Balls	PYREX	PTFE; ceramic
Body valve	PP	PVDF
O-rings	Viton®	Dutral®
Injection ball valve (Spring)	Hastelloy/Pyrex	Hastelloy - ceramic
Injection fitting	PP	PVDF
Foot valve	PP	PVDF
Power supply	230v	110v

### Package size: (LxHxW)




660x560x270 mm



### INSTALLATION EXAMPLE



### INSTALLATION KIT

	Amperometric probe for free chlorine reading low pH influence ADELCLJ25		pH4 and pH7 buffer solutions ADSPH4 - ADSPH7
	pH electrode with 1m cable ADELTPH01		x2 PP foot valve ADSP6000001
	x2 PE injection pipe (2 m) ADSP6000078		x2 PP bottom valve M½ Gas (PP-VL-VT) ADSP6200007
	x4 PVC crystal Pipe (2m) ADSP6000546		x2 By-pass connectors PP ADSP5005002 ADSP5004002
	5" water filter fitted with 80 micron net cartridge ADFV3		Tube 10x14 soft type PVC - 4m ADSP6000440

CODE	FLOW RATE l/h	PRESSURE bar	WATT	TUBE	DIMENSION mm	PACKING	WEIGHT kg	VOLUME m³
ADPTE11	10 - 10	4 - 4	35	4x6	500x600x200	1	10	0.1
ADPTE12	20 - 20	3 - 3	35	4x6	500x600x200	1	10	0.1

# Chemical Dosing Equipment

## 4- CONTROLLERS AND ANALYSERS



### ADIN20 START *NEW*

- Digital Controller DIN rail mounting.
- Backlighted LCD display, 2 lines x 16 characters and 4 keys keypad, for an easy user interface
- 2 set-points with independent adjustment and free relay outputs, selectable in On-Off mode, Proportional or Time-Pause Mode
- 0/4-20 mA Proportional Output with selectable range
- PT100 temperature probe, Level and Flow sensor inputs;
- Setting menu protected by password
- Fast setting by user menu selection, manual control of both relays (pumps priming), runtime monitoring of all outputs and control of the last probe calibration
- Realy n.2 selectable as setpoint or on each alarm signal.
- Statistics of the alarms, of the number of setpoint activations and of the operating time of each relay
- Self-calibration of measure probes.

### ADIN20S pH-Rx

- Controller for measurement and control of pH measure range 0.00-14.00 pH, with 0.01 pH accuracy, Redox potential, measure range -1500÷1500 mV, with 1 mV accuracy
- Changing of the monitored parameter by Advanced Settings Menu, protected by password.

[Probe p.80](#)

### ADIN20S Chlorine

- Controller for measurement and regulation of free chlorine available for amperometric Pt- Cu probes
- Measure Range:0.00-10.00 ppm.

[Probe p.81](#)

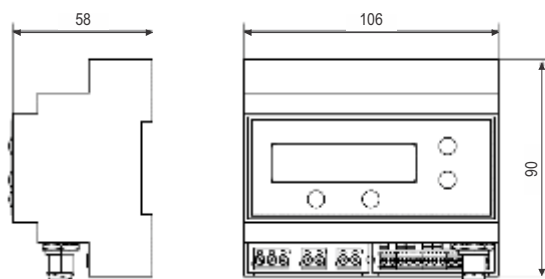
### ADIN20S CL-J

- Controller for measurement and regulation of free chlorine, hydrogen peroxide, bromine, ozono and each other measure available for amperometric selective membrane 4-20mA probes;
- Measure Range selectable: 0.00-2.00 ppm/0.00-5.00ppm 0.00-10.00ppm/0.00-20.00ppm/0-200ppm.

[Probe p.81](#)

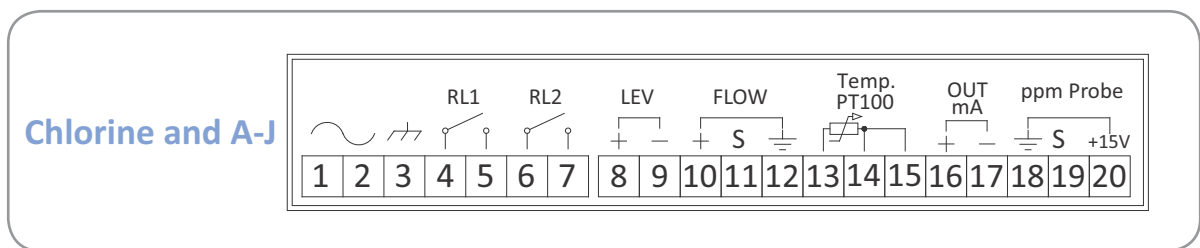
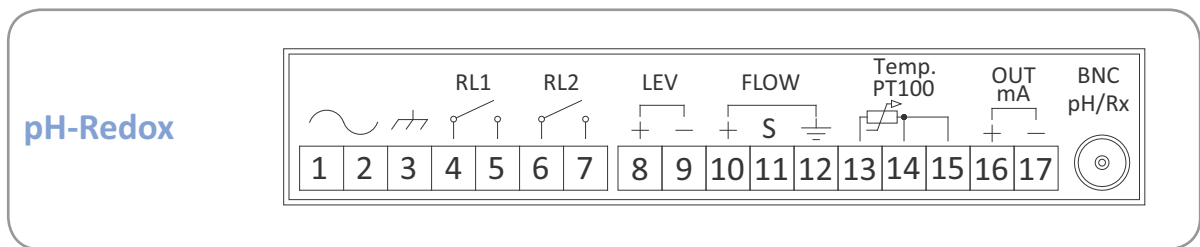
**Package size: (LxHxW)**

120x105x145 mm



CODE	MODEL	PROBES	PACKING	WEIGHT kg	VOLUME m <sup>3</sup>
ADINS20PHRX	Aqua Din 20 start pH-RX controller	pH- Rx	1	0.35	0.001
ADINS20CL	Aqua Din 20 start chlorine (PT-CU) controller	CHLORINE (Pt-Cu)	1	0.35	0.001
ADINS20CLJ	Aqua Din 20 start PPM A-J probes	A-J	1	0.35	0.001

	pH-Rx	Chlorine (Pt-Cu)	A-J
Scale	0-14.00 pH/±1.500 mV	0-10 ppm	0-2-5-10-20-200 ppm
Scale	± 0.01 pH/±1 mV	±0.01 ppm	0.01-1 ppm
Current output	1 programmable 0/4-20 mA Proportional Output - 400 Ω max- with galvanic separation		
Relay 1 Output	Related to setpoint 1 value, free contact-10 A max working mode-ON-OFF, Proportional or Time/Pause Mode		
Relay 2 Output	Related to setpoint 2 value or alarms, free contact-10 A max working mode- ON-OFF, Proportional or Time/Pause Mode (if related to setpoint 2)		
Display	Backlighted LCD display, 2 lines x 16 characters		
Controls	4 keys keypad		
Temperature	Manual or automatic temperature correction by PT100 sensor (Only pH version)		
Hysteresis	Selectable for each setpoint		
Alarms	Measure, invariance of the measure, OFA, flow, Level-Each alarm can be set on relay 2		
Power supply	80-265 VAC		
Consumption	3 Watt		
Package	6 modules DIN		
Weight	350 gr		

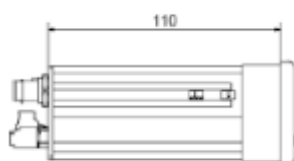
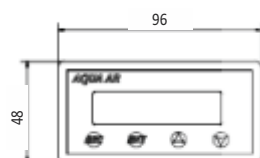


# Chemical Dosing Equipment



## AR 10 START *NEW*

- Digital Controller for panel mounting 48x96.
- Backlighted LCD display, 2 lines x 16 characters and 4 keys keypad, for an easy user interface
- 2 set-points with independent adjustment and free relay outputs, selectable in On-Off mode, Proportional or Time-Pause Mode
- 0/4-20 mA Proportional Output with selectable range
- PT100 temperature probe, Level and Flow sensor inputs
- Setting menu protected by password
- Fast setting by user menu selection, manual control of both relays (pumps priming), runtime monitoring of all outputs and control of the last probe calibration;
- Realy n.2 selectable as setpoint or on each alarm signal.
- Statistics of the alarms, of the number of setpoint activations and of the operating time of each relay
- Self-calibration of measure probes



## AR 10 S pH-Redox

- Controller for measurement and control of pH measure range 0.00-14.00 pH, with 0.01 pH accuracy, Redox potential, measure range -1500÷1500 mV, with 1 mV accuracy
- Changing of the monitored parameter by Advanced Settings Menu, protected by password.

Probe p.80

## AR 10 S Clorine

- Controller for measurement and regulation of free chlorine available for amperometric Pt- Cu probes
- Measure Range:0.00-10.00 ppm.

Probe p.81

## AR 10 S CL-J

- Controller for measurement and regulation of free chlorine, hydrogen peroxide, bromine, ozono and each other measure available for amperometric selective membrane 4-20mA probes
- Measure Range selectable: 0.00-2.00 ppm/0.00-5.00ppm 0.00-10.00ppm/0.00-20.00ppm/0-200ppm.

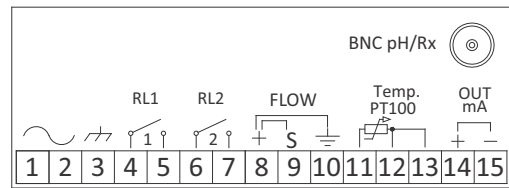
Probe p.81

Package size: (LxHxW)  
120x105x145 mm

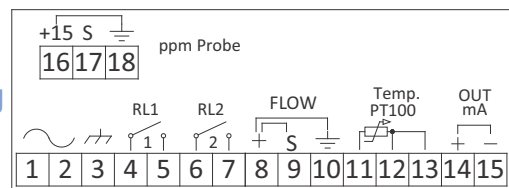
CODE	MODEL	PROBES	PACKING	WEIGHT kg	VOLUME m <sup>3</sup>
ADRS10PHRX	Aqua AR 10 start pH-RX controller	pH- Rx	1	0.35	0.001
ADRS10CL	Aqua AR 10 start chlorine (PT-CU) controller	CHLORINE (Pt-Cu)	1	0.35	0.001
ADRS10CLJ	Aqua AR 10 start for A-J probes	A-J	1	0.35	0.001

	pH-Rx	Chlorine (Pt-Cu)	A-J
Scale	0-14.00 pH/±1.500 mV	0-10 ppm	0-2-5-10-20-200 ppm
Scale	± 0.01 pH/±1 mV	±0.01 ppm	0.01-1 ppm
Current output	1 programmable 0/4-20 mA Proportional Output - 400 Ω max- with galvanic separation		
Relay 1 Output	Related to setpoint 1 value, free contact-10 A max working mode-ON-OFF, Proportional or Time/Pause Mode		
Relay 2 Output	Related to setpoint 2 value or alarms, free contact-10 A max working mode- ON-OFF, Proportional or Time/Pause Mode (if related to setpoint 2)		
Display	Backlighted LCD display, 2 lines x 16 characters		
Controls	4 keys keypad		
Temperature	Manual or automatic temperature correction by PT100 sensor		
Hysteresis	Selectable for each setpoint		
Alarms	Measure, invariance of the measure, OFA, flow, Level-Each alarm can be set on relay 2		
Power supply	80-265 VAC		
Consumption	3 Watt		
Package	Rack 48x96		
Weight	350 gr		

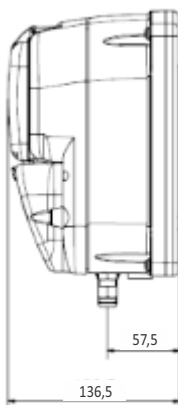
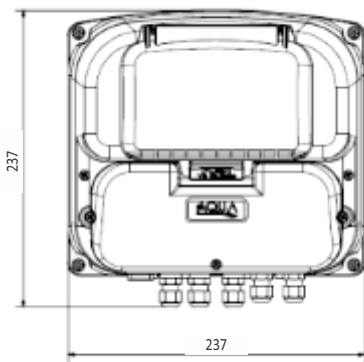
**pH-Redox**



**Chlorine and A-J**



# Chemical Dosing Equipment



## AE START *NEW*

- Digital Controller for wall mounting .
- Backlighted LCD display, 2 lines x 16 characters and 4 keys keypad, for an easy user interface
- 2 set-points with independent adjustment and free relay outputs, selectable in On-Off mode, Proportional or Time-Pause Mode
- 0/4-20 mA Proportional Output with selectable range
- PT100 temperature probe, Level and Flow sensor inputs
- Programming protected by password
- Fast setting by user menu selection, manual control of both relays (pumps priming), runtime monitoring of all outputs and control of the last probe calibration
- Realy n.2 selectable as setpoint or on each alarm signal.
- Statistics of the alarms, of the number of setpoint activations and of the operating time of each relay
- Self-calibration of measure probes.

## AE S pH-Redox

- Controller for measurement and control of pH measure range 0.00-14.00 pH, with 0.01 pH accuracy, Redox potential, measure range -1500÷1500 mV, with 1 mV accuracy
- Changing of the monitored parameter by Advanced Settings Menu, protected by password.

Probe p.80

## AE S Clorine

- Controller for measurement and regulation of free chlorine available for amperometric Pt- Cu probes
- Measure Range:0.00-10.00 ppm.

Probe p.81

## AE S CL-J

- Controller for measurement and regulation of free chlorine, hydrogen peroxide, bromine, ozono and each other measure available for amperometric selective membrane 4-20mA probes
- Measure Range selectable: 0.00-2.00 ppm/0.00-5.00ppm 0.00-10.00ppm/0.00-20.00ppm/0-200ppm.

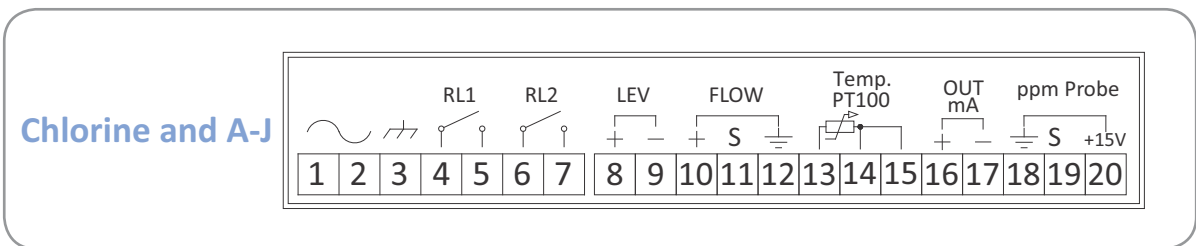
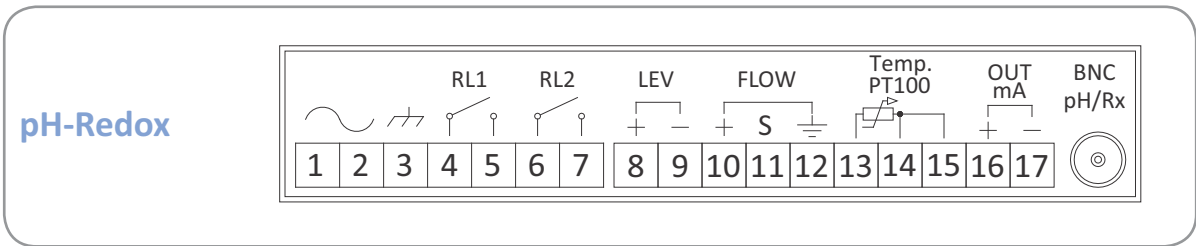
Probe p.81

**Package size:** (LxHxW)

375x355x620 mm

CODE	MODEL	PROBES	PACKING	WEIGHT	VOLUME
				kg	m <sup>3</sup>
ADESPHRX	Aqua AE start pH-RX controller	pH- Rx	1	6	0.08
ADESCL	Aqua AE start chlorine (PT-CU) controller	CHLORINE (Pt-Cu)	1	6	0.08
ADESCLJ	Aqua AE startfor A-J probes	A-J	1	6	0.08

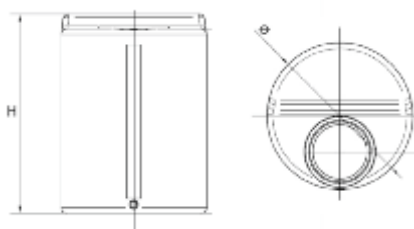
	pH-Rx	Chlorine (Pt-Cu)	A-J
Scale	0-14.00 pH/±1.500 mV	0-2.00/5.00/10.00/20.00 ppm	0-2-5-10-20-200 ppm
Scale	± 0.01 pH/±1 mV	±0.01 ppm	0.01-1 ppm
Current output	1 programmable 0/4-20 mA Proportional Output - 400 Ω max- with galvanic separation		
Relay 1 Output	Related to setpoint 1 value, free contact-10 A max working mode-ON-OFF, Proportional or Time/Pause Mode		
Relay 2 Output	Related to setpoint 2 value or alarms, free contact-10 A max working mode- ON-OFF, Proportional or Time/Pause Mode (if related to setpoint 2)		
Display	Backlighted LCD display, 2 lines x 16 characters		
Controls	4 keys keypad		
Temperature	Manual or automatic temperature correction by PT100 sensor		
Hysteresis	Selectable for each setpoint		
Alarms	Measure, invariance of the measure, OFA, flow, Level-Each alarm can be set on relay 2		
Power supply	80-265 VAC		
Consumption	3 Watt		
Package	IP54 wall mounting		
Weight	800 gr		





# Chemical Dosing Equipment

## 5- SPARE PARTS AND ACCESSORIES



### A-TANK

- Cylindrical vertical container with self-supporting structure, flat bottom and hatch with threaded cover. Made in non-toxic UV-stabilized polyethylene, for a higher protection from the atmospheric agents, with a neutral translucent colour.
- The structure is designed depending on the liquid it will contain. It has flat upper surfaces, and a 1/2" lower discharge that ease possible couplings.
- It is monolithic, i.e. moulded in a single piece, with no joints. It has a threaded vent lid, closed upon request, and printed visual level indicator. It can be placed on flat surfaces without particular precautions.

CODE	VOLUME	DIMENSIONS
	L	
ADTANK006	50	400 x 525
ADTANK010	100	500 x 680
ADTANK020	200	620 x 800
ADTANK030	300	770 x 890
ADTANK050	500	885 x 1000
ADTANK100	1000	1100 x 1200

### A-VISC

- Cylindrical vertical container with self-supporting structure and flat bottom, suitable for the safety containing of the A-TANK tanks. It is made in non-toxic UV-stabilised polyethylene to provide a higher protection from atmospheric agents, with a neutral, translucent colour. It is monolithic, i.e. moulded in a single piece, with no joints. It can be placed on flat surfaces without particular precautions.



CODE	VOLUME	DIMENSIONS
	L	
ADVVIC010	100	700 x 450
ADVVIC020	200	800 x 600
ADVVIC030	300	900 x 660
ADVVIC050	500	1050 x 1000
ADVVIC100	1000	1350 x 1050

### AG-MAN

- Manual mixer with PVC shaft.



CODE	MODEL	SIZE	TANK L	PACKING	WEIGHT kg	VOLUME m <sup>3</sup>
ADAGMP06	AG- MAN-PVC60	A-TANK 1	100-200	1	3	0.02
ADAGMP07	AG- MAN-PVC70	A-TANK 2-3	300	1	3	0.02
ADAGMP09	AG- MAN-PVC90	A-TANK 5-10	500-1000	1	3	0.02

### A-SUPP

- PVC support to install dosing pumps and mixers.



CODE	MODEL
ADSUPP010	A-TANK 1
ADSUPP020	A-TANK 2
ADSUPP030	A-TANK 3
ADSUPP050	A-TANK 5
ADSUPP100	A-TANK 10

### ADBAS

- Foot fixing bracket.



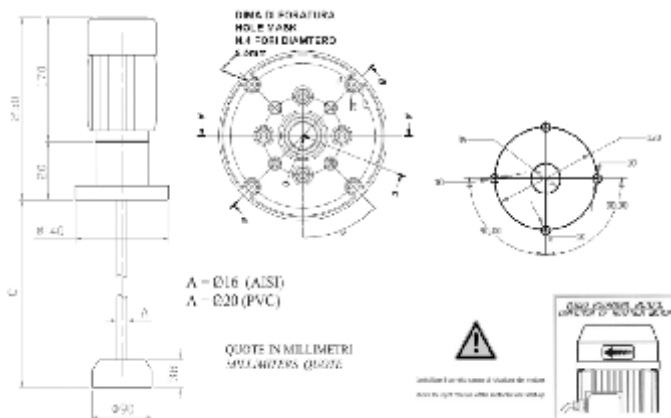
CODE	MODEL
ADBAS100	Foot fixing bracket (HC150-151-897-997-899-999)

# Chemical Dosing Equipment



## AG-F

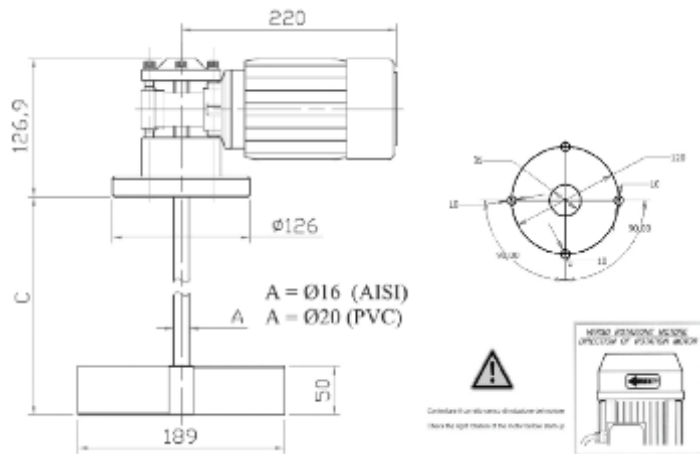
- Fast water mixers.
- Fast speed three-phase AG3-PVC/AG3-AISI 1400 rpm – Motor 230/380 V - 50 Htz - 0.12HP;
- Fast speed three-phase AG3-PVC/AG3-AISI 1400 rpm – Motor 230/380 V - 50 Htz - 0.12HP.



CODE		SIZE	TANK	MATERIAL	SPEED	PACKING	WEIGHT	VOLUME
SINGLE-PHASE	THREE-PHASE		L		rpm		kg	m <sup>3</sup>
ADAG1P06F	ADAG3P06F	A-TANK 1	100	PVC	1400	1	6	0.03
ADAG1P07F	ADAG3P07F	A-TANK 2-3	200-300	PVC	1400	1	7	0.05
ADAG1P08F	ADAG3P08F	A-TANK 5	500	PVC	1400	1	7	0.05
ADAG1P09F	ADAG3P09F	A-TANK 10	1000	PVC	1400	1	7	0.05
ADAG1A06F	ADAG3A06F	A-TANK 1	100	AISI	1400	1	6	0.03
ADAG1A07F	ADAG3A07F	A-TANK 2-3	200-300	AISI	1400	1	7	0.05
ADAG1A08F	ADAG3A08F	A-TANK 5	500	AISI	1400	1	7	0.05
ADAG1A09F	ADAG3A09F	A-TANK 10	1000	AISI	1400	1	7	0.05

## AG-S

- Slow water mixers.
- Slow single-phase AG1-PVC /AG1-AISI 70 rpm – Motor 230V 50Hz 0.12HP
- Slow speed three-phase - AG3-PVC/AG3-AISI - 70 rpm – Motor 230/380v - 50 Hz - 0.12HP.



CODE		SIZE	TANK	MATERIAL	SPEED	PACKING	WEIGHT	VOLUME
SINGLE-PHASE	THREE-PHASE							
			L		rpm		kg	m <sup>3</sup>
<b>ADAG1P06S</b>	<b>ADAG3P06S</b>	A-TANK 1	100	PVC	70	1	6	0.03
<b>ADAG1P07S</b>	<b>ADAG3P07S</b>	A-TANK 2-3	200-300	PVC	70	1	7	0.05
<b>ADAG1P08S</b>	<b>ADAG3P08S</b>	A-TANK 5	500	PVC	70	1	7	0.05
<b>ADAG1P09S</b>	<b>ADAG3P09S</b>	A-TANK 10	1000	PVC	70	1	7	0.05
<b>ADAG1A06S</b>	<b>ADAG3A06S</b>	A-TANK 1	100	AISI	70	1	6	0.03
<b>ADAG1A07S</b>	<b>ADAG3A07S</b>	A-TANK 2-3	200-300	AISI	70	1	7	0.05
<b>ADAG1A08S</b>	<b>ADAG3A08S</b>	A-TANK 5	500	AISI	70	1	7	0.05
<b>ADAG1A09S</b>	<b>ADAG3A09S</b>	A-TANK 10	1000	AISI	70	1	7	0.05

# Chemical Dosing Equipment

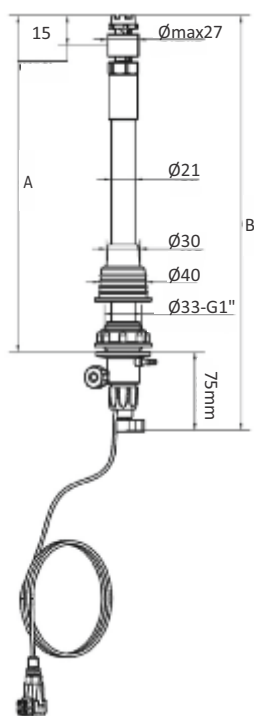


## ADLASM

- Suction lance with low level probe.
- Adjustable length
- Suitable for tanks with small hole (min. 27 mm)
- Connection to 4X6 discharge pipe (return line within the tank)
- Probe level and 2 m completely protected cable
- Built-in check valve
- Easy maintenance
- Instructions kit
- 2 modes fixing (with 1" ring nut or sleeve)
- Flow rate up to 100 l/h.

### Technical Features:

	Standard version	Upon request
Body	PP-PVC-VITON	PP-PVE-DUTRAL
Body valve	PYREX	-
O-rings	Viton®	Dutral®



TOTAL LENGTH (B)	SUITABLE FOR TANK	ADJUSTABLE LENGTH (A)
mm	lt	mm
400	5-10	120 ->300
490	30	120 ->390
700	60 ADTANK006 100 ADTANK010	120 ->600
940	200 ADTANK020 300 ADTANK030	120 ->840
1420	500 ADTANK050 1000 ADTANK1000	120 ->1320

### Configuration code:

Capacity		Balls/O-ring materials		Low level probe		Pipe connection	
0	T-A tank 5/10 lt	0	GL-VT	0	Low level probe without connector	0	4 x 6
1	T-A tank 60/100 lt	A	GL-DT	B	Level probe with BNC connector	1	10 x 14
2	T-A tank 30 lt			C	Low level probe with HIRSH connector		
3	T-A tank 200/300 lt						
5	T-A tank 500 lt						

CODE	DESCRIPTION	HIGHT mm	TANK L	mm	O-RING	PIPE	CONNECTOR m <sup>3</sup>
ADLASM0000	Suction nozzle T-A (5/10l -H400) GL-VT 4x6 C/probe LEV-S/CONN	400	5-10	155-300	Viton®	4x6	-
ADLASM00C0	Suction nozzle T-A (5/10l -H400) GL-VT 4x6 C/probe LEV-C/CONN	400	5-10	155-300	Viton®	4x6	HIRSHMANN
ADLASM00B0	Suction nozzle T-A (5/10l -H400) GL-VT 4x6 C/probe LEV-S/BNC	400	5-10	155-300	Viton®	4x6	BNC

CODE	DESCRIPTION	HIGHT mm	TANK L	mm	O-RING	PIPE	CONNECTOR m <sup>3</sup>
ADLASM2000	Suction nozzle T-A (30l -H490) GL-VT 4x6 C/probe LEV-S/CONN	490	30	155-390	Viton®	4x6	-
ADLASM20C0	Suction nozzle T-A (30l -H490) GL-VT 4x6 C/probe LEV-C/CONN	490	30	155-390	Viton®	4x6	HIRSHMANN
ADLASM20B0	Suction nozzle T-A (30l -H490) GL-VT 4x6 C/probe LEV-S/BNC	490	30	155-390	Viton®	4x6	BNC

CODE	DESCRIPTION	HIGHT mm	TANK L	mm	O-RING	PIPE	CONNECTOR m <sup>3</sup>
ADLASM1000	Suction nozzle T-A (60l - 100l -H700) GL-VT 4x6 C/Probe LEV-S/CONN	700	60-100	115-600	Viton®	4x6	-
ADLASM10C0	Suction nozzle T-A (60l - 100l -H700) GL-VT 4x6 C/Probe LEV-C/CONN	700	60-100	115-600	Viton®	4x6	HIRSHMANN
ADLASM10B0	Suction nozzle T-A (60l - 100l -H700) GL-VT 4x6 C/Probe LEV-C/BNC	700	60-100	115-600	Viton®	4x6	BNC

CODE	DESCRIPTION	HIGHT mm	TANK L	mm	O-RING	PIPE	CONNECTOR m <sup>3</sup>
ADLASM3000	Suction nozzle T-A (2/300l -H940) GL-VT 4x6 C/probe LEV-S/CONN	940	200-300	115-840	Viton®	4x6	-
ADLASM30C0	Suction nozzle T-A (2/300l -H940) GL-VT 4x6 C/probe LEV-C/CONN	940	200-300	115-840	Viton®	4x6	HIRSHMANN
ADLASM30B0	Suction nozzle T-A (2/300l -H940) GL-VT 4x6 C/probe LEV-S/BNC	940	200-300	115-840	Viton®	4x6	BNC
ADLASM3001	Suction nozzle T-A (2/300l -H940) GL-VT 4x6 C/probe LEV-S/CONN	940	200-300	115-840	Viton®	10x14	-
ADLASM30C1	Suction nozzle T-A (2/300l -H940) GL-VT 4x6 C/probe LEV-C/CONN	940	200-300	115-840	Viton®	10x14	HIRSHMANN
ADLASM30B1	Suction nozzle T-A (2/300l -H940) GL-VT 4x6 C/probe LEV-S/BNC	940	200-300	115-840	Viton®	10x14	BNC

CODE	DESCRIPTION	HIGHT mm	TANK L	mm	O-RING	PIPE	CONNECTOR m <sup>3</sup>
ADLASM5000	Suction nozzle T-A (500/1000l -H1420) GL-VT 4x6 C/probe LEV-S/CONN	1420	500-1000	115-1320	Viton®	4x6	-
ADLASM50C0	Suction nozzle T-A (500/1000l -H1420) GL-VT 4x6 C/probe LEV-C/CONN	1420	500-1000	115-1320	Viton®	4x6	HIRSHMANN
ADLASM50B0	Suction nozzle T-A (500/1000l -H1420) GL-VT 4x6 C/probe LEV-S/BNC	1420	500-1000	115-1320	Viton®	4x6	BNC
ADLASM5001	Suction nozzle T-A (500/1000l -H1420) GL-VT 4x6 C/probe LEV-S/CONN	1420	500-1000	115-1320	Viton®	10x14	-
ADLASM50C1	Suction nozzle T-A (500/1000l -H1420) GL-VT 4x6 C/probe LEV-C/CONN	1420	500-1000	115-1320	Viton®	10x14	HIRSHMANN
ADLASM50B1	Suction nozzle T-A (500/1000l -H1420) GL-VT 4x6 C/probe LEV-C/BNC	1420	500-1000	115-1320	Viton®	10x14	BNC

# Chemical Dosing Equipment

## A-DOS

- Pre-assembled skid, composed by chemical tank, dosing pump, support, suction lance, mixer (automatic or manual). To be specified during order.

## CREATE YOUR KIT



Additional list for assembly

---

---

---

CODE	MODEL
ADSP6020221	Wall mounting bracket (HC100-150-151-897-997-899-999)
ADSP6020156	Wall mounting bracket (TECHNOPOOL)



CODE	MODEL
ADBAS100	Foot mounting bracket (HC150-151-897-997-899-999)



CODE	MODEL
ADSTF200	Foot mounting bracket (HC150-151-897-997-899-999)



CODE	MODEL	MEASURE	LENGHT
ADSP6000078	PE delivery tube	4x6	2 m
ADSP6000370	PE delivery tube	6x8	1 m (100 min.)
ADSP6000016	PE delivery tube	10x14	1 m (50 m min.)



CODE	MODEL	MEASURE	LENGHT
ADSP6000546	PVC crystal bleed of tube - PVC crystal suction tube	4x6	2 m
ADSP6000440	PVC crystal bleed of tube - PVC crystal suction tube	6x8	1 m (100 min.)



CODE	MODEL	CONNECTION	MATERIAL
ADSP6000028	PVDF foot valve (HC897-997-999-201)	4x6	PVDF-PTFE-VT



CODE	MODEL	CONNECTION	MATERIAL
ADSP6200031	PVDF injection valve M - 1/2" Gas (HC897-997-999-201)	G1/2" - 4x6	PVDF-PTFE-VT
ADSP6200040	PVDF injection valve M - 1/2" Gas (HC999 Mod.3)	G1/2" - 6x8	PVDF-PTFE-VT





# Chemical Dosing Equipment



CODE	MODEL	CONNECTION	MATERIAL
ADSP6000001	PP foot valve (HC150-151)	4x6	PP-GL-VT
ADSP6000774	PP foot valve (HC999)	10x14	PVC-GL-VT



CODE	MODEL	CONNECTION	MATERIAL
ADSP6200007	PP injection valve M - 1/2" Gas (HC150-151)	4x6	PP-GL-VT
ADSP6200018	PP injection valve 1/2" (HC999 Mod. 3)	6x8	PP-GL-VT
ADSP6000051	PP injection valve PVC (HC999 Mod. 4)	10x14	PVC-GL-VT



CODE	MODEL
ADCAN3	Injection fitting extension quill. PVC double thread 3/8"-1/2" GM-1/2" GF



CODE	MODEL
ADSP6000041	Anchors and screws



CODE	MODEL	CONNECTION
ADSLG1	A-SL	-



CODE	MODEL	CONNECTION
ADSLG	A-SL	HIRSHMANN



CODE	MODEL	CONNECTION
ADSLG4	A-SL	BNC

CODE	DESCRIPTION	MODEL	CABLE LENGTH m
ADELTPH01	Combination pH/Rx electrodes. With bonded cable. Epoxy body. Max pressure 5 BAR. Max temperature 40°C.	A-pH 1	1
ADELTPH05		A-pH 5	5
ADELTPH10		A-pH 10	10
ADELTRX01		A-Rx 1	1
ADELTRX05		A-Rx 5	5
ADELTRX10		A-Rx 10	10
ADELTRX05G		A-Rx 5 Gold	5



ADELTPH05



ADELTRX05

CODE	DESCRIPTION	MODEL
ADELVPH	Combination pH/Rx electrodes. Glass body.	A-VpH
ADELVRX	Max pressure 5 BAR. Max temperature 55°C.	A-VRx



ADELVPH ADELVRX

CODE	DESCRIPTION	MODEL
ADELPPH	Combination pH/Rx electrodes. Epoxy body.	A-PpH
ADELPRX	Max pressure 5 BAR. Max temperature 40°C.	A-PRx



ADELPPH ADELPRX

CODE	DESCRIPTION	MODEL	CABLE LENGTH m
ADCV01	Coaxial cable for use with electrodes with a BNC/SN6.	A-CV 1	1
ADCV02		A-CV 2.5	2.5
ADCV05		A-CV 5	5
ADCV10		A-CV 10	10
ADCV15		A-CV 15	15
ADCV20		A-CV 20	20



ADCV

# Chemical Dosing Equipment



CODE	MODEL	USE	RANGE ppm
ADCG2	Pt-cu amperometric probe for free chlorine	Inorganic chlorine	0-10
ADCG5F	Pt-cu amperometric probe for free chlorine + flow + probe	Inorganic chlorine	0-10
ADCG6F	Pt-cu amperometric probe for free chlorine + flow + 2 probes	Inorganic chlorine	0-10
ADSP4000620	Replacement kit for pt-cu electrode	-	-
ADSP6500009	Balls replacement kit	-	-



CODE	MODEL	USE	RANGE ppm
ADELCLJ05	Amperometric probe for free chlorine reading	Inorganic chlorine	0-5
ADELCLJ22	Amperometric probe for free chlorine reading low ph influence	Inorganic chlorine	0-5
ADELCLJ25	Amperometric probe for free chlorine reading low ph influence	Inorganic chlorine	0-5
ADELCLJ25S	Amperometric probe for free chlorine reading low ph influence	Organic chlorine-Salt water	0-5
ADELCLJ35	Amperometric probe for total chlorine reading low ph influence	Total chlorine	0-5
ADELDCJ10	Amperometric probe for chlorine dioxide reading	Chlorine dioxide	0-10
ADELOZJ10	Amperometric probe for ozone reading	Ozone	0-10
ADELXPJ02	Amperometric probe for hydrogen peroxide reading	Hydrogen peroxide	0-200
ADELPAJ02	Amperometric probe for per-acetic acid reading	Per-acetic acid	0-200
ADSP6020051	A-J connection cable	-	-



CODE	DESCRIPTION	MODEL	VALUE
ADSPH4		pH	4 pH
ADSPH7	Buffer solution	pH	7 pH
ADSPH9		pH	9 pH
ADSRX		Rx	475 mV



CODE	MODEL	CONNECTION	MATERIAL	RANGE °C	COMPATIBILITY
ADSTS100	100 Probe body PVC-electrode AISI	MG 1/2"	PVC-AISI	0-60	ADIN20S AR10S AESTART
ADSTS100NC	PT 100 probe body PVC	DN 12	PVC	0-40	
ADSP4000622	Oring for adaptator (ADSP4000622)	MG 3/4"-FG 1/2"	PVC	-	-
ADSP5007205	Oring for adaptator (ADSP4000622)	-	Viton®	-	-

CODE	DESCRIPTION	MODEL	CONNECTION
<b>ADSP3600004</b>	SINGLE modular probe holder,	Module with filter - flow sensor - water check - temperature	G 1/2"-10x145
<b>ADSP3600005</b>	componible up to 5 module,	Module for electrode A-EL	-
<b>ADSP3600010</b>	PVC body, Viton® seals,	Module for electrode A-J	-
<b>ADSP3600009</b>	max pressure 5 BAR,	Module for threaded electrode PG 13,5	-
<b>A803R050</b>	working temperature 5-60 °C.	430 micron replacement filter cartridge	-



A803R050

CODE	DESCRIPTION	MODEL	CONNECTION
<b>ADPSM097</b>	COMPLETE modular probe holder,	Modular probe holder with filter - 1x A-EL - GF 1/2"	G 1/2"-10x145
<b>ADPSM01233</b>	componible up to 5 module, PVC body, Viton® seals, max pressure	Modular probe holder with filter - Flow sensor - 2x A-EL	G 1/2"-10x145
<b>ADPSM0126</b>	5 BAR, working temperature 5-60 °C.	Modular probe holder with filter - Flow sensor - 1x A-J	G 1/2"-10x145



ADPSM097



ADPSM0126



ADPSM01233

CODE	DESCRIPTION	PIPE DIAMETER	MATERIAL	CONNECTION
<b>ADPSTC</b>	Collar injection probe holder 2 in 1	DN 50-63	PP-VL-VT	4x6



# Chemical Dosing Equipment



ADSP6100087

X2



ADSP6100088

X2



ADSP6000254



CODE	DESCRIPTION
ADSP6100087	Connection kit for 2 modules
ADSP6100088	10X14 pipe connection kit G 1/2"
ADSP6000254	10X14 tube kit 4 mt.

CODE	DESCRIPTION	PIPE DIAMETER	CONNECTION
ADSP6000111	Threaded T collar for pipes	DN 50	G 1/2".
ADSP6000113		DN 63	G 1/2"

CODE	DESCRIPTION	PIPE DIAMETER	CONNECTION
ADPST1	Threaded probe holder	pH-Rx-Ø12mm	G 1/2"

CODE	MODEL	CONNECTION
ADPSD	Modular probe holder with 2 pH-Rx probes compatible	G 3/8" - 4X6
ADPSD2	Modular probe holder with 2 pH-Rx probes compatible	G 1/2" - 10X14

CODE	MODEL	LENGTH
		m
ADPSI05	Immersion probe holder for pH-Rx probe	0.5
ADPSI10	Immersion probe holder for pH-Rx probe	1
ADPSI15	Immersion probe holder for pH-Rx probe	1.5
ADPSI20	Immersion probe holder for pH-Rx probe	2
ADPSI30	Immersion probe holder for pH-Rx probe	3

CODE	DESCRIPTION
ADFLA	Flange for immersion probe holder

CODE	DESCRIPTION
ADSP4000048	Panel 500x600 ABS embossed grey
ADSP4000045	Panel 600x650 ABS embossed grey



ADSP3600004



ADSP4000045

CODE	DESCRIPTION
ADSP4000047	Drawer buffer solutions



CODE	DESCRIPTION
ADSP4000046	Cover mm 435x85 ABS embossed grey



CODE	DESCRIPTION
ADSP6000764	Self-tapping screw $\varnothing$ 4.2X16
ADSP6020306	Seal expanded rubber mm 436x86



CODE	DESCRIPTION	CONNECTION
ADFV	5" water filter fitted with 80 micron net cartridge. Black PP head, transparent SAN sump	G 3/8" - 4 x 6
ADFV3	5" water filter fitted with 80 micron net cartridge. Black PP head, transparent SAN sump	G 1/2" - 10 x 14
A4030100	RLA cartridge 80 MICRON	-



# Chemical Dosing Equipment

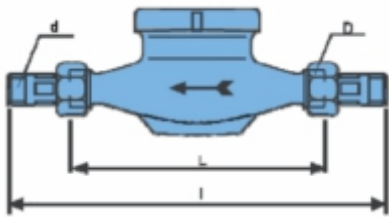


## A-CON

- Threaded Water Meters with pulse output.

### TECHNICAL FEATURES

Gauge - Size - DN	mm	13	20	25	30	40	50
Qmax max. flow rate (CEE)	m <sup>3</sup> /h	3	5	7	10	20	30
QN Nominal flow rate (CEE)	m <sup>3</sup> /h	1.5	2.5	3.5	5	10	15
Minimum Flow Qmin (CEE)	l/h	30	50	70	100	200	450
Minimum Working Temperature	°C	40	40	40	40	40	40
Max Working Pressure	BAR	16	16	16	16	16	16
Pulse emitter		4 imp/1lt (k=0.25)					



### DIMENSIONS

CODE	CONNECTION	D	DN	Qn	PN	L	I
			mm	m <sup>3</sup>		mm	mm
ADCONRC00	1/2"	3/4"	13	1.5	16	110	190
ADCONRC01	3/4"	1"	20	2.5	16	130	230
ADCONRC02	1"	1 1/4"	25	3.5	16	260	360
ADCONRC03	1 1/4"	1 1/2"	30	5	16	260	380
ADCONRC04	1 1/2"	2"	40	10	16	300	440
ADCONRC05	2"	2 1/2"	50	15	16	300	460

CODE	CONNECTOR	IN-OUT	PULSES	FLOW RATE	PACKING	WEIGHT	VOLUME
				m <sup>3</sup> /h		kg	m <sup>3</sup>
ADCONRC00	HIRSMANN	G 1/2"	4 IMP/lt	1.5	1		
ADCONRC000B	BNC	G 1/2"	4 IMP/lt	1.5	1		
ADCONRC01	HIRSMANN	G 3/4"	4 IMP/lt	2.5	1		
ADCONRC01B	BNC	G 3/4"	4 IMP/lt	2.5	1		
ADCONRC02	HIRSMANN	G 1"	4 IMP/lt	3.5	1		
ADCONRC020B	BNC	G 1"	4 IMP/lt	3.5	1		
ADCONRC03	HIRSMANN	G 1 1/4"	4 IMP/lt	5	1		
ADCONRC030B	BNC	G 1 1/4"	4 IMP/lt	5	1		
ADCONRC04	HIRSMANN	G 1 1/2"	4 IMP/lt	10	1		
ADCONRC040B	BNC	G 1 1/2"	4 IMP/lt	10	1		
ADCONRC05	HIRSMANN	G 2"	4 IMP/lt	15	1		
ADCONRC050B	BNC	G 2"	4 IMP/lt	15	1		

## 6- FLOATING DISPENSERS

- For tri-chloride tablets.

CODE	DOSAGE REGULATOR	LOADING CAPACITY	PACKING	WEIGHT kg	VOLUME m <sup>3</sup>
CL-101	●	1 kg	10	5.8	0.069
CL-102	●	1 kg	8	2.6	0.070



CL-101

CL-102

## 7- CHLORINE FEEDER

- **CL-100F In-line:** With direct pipe connections of 1.5" inside and 2" outside
- **CL-120F Off-line:** for bypass connections via flexible tubing, with fittings.
- **CL-200F In-line:** With direct connections of 1.5" inside and 2" outside.
- **CL-220F Off-line:** For by-pass connections via flexible tubing, with fittings.

CODE	LOADING CAPACITY kg	HEIGHT m <sup>3</sup>	PACKING	WEIGHT kg	VOLUME m <sup>3</sup>
CL-100F	1.8	0.38	1	1.4	0.01
CL-120F	1.8	0.38	1	1.5	0.01
CL-200F	4.5	0.36	1	2.2	0.02
CL-220F	4.5	0.36	1	2.5	0.02

